

S2053-5/8HOLE-PLY-BB-TG-DLB

### FEATURES

- KINGPIN:** 5/8" diameter rivet
- RACEWAY:** 1/4" diameter upper race; 1/4" diameter lower race; hardened steel load bearings
- BUSHING:** Nylon, steel or ball bearing
- AXLE & NUT:** 5/16" axle & lock nut
- FINISH:** Corrosion resistant bright zinc finish
- SPECIAL:** Bolt hole allows for up to 5/8" diameter threaded stems with any special length and thread type. Double brake locks wheel & swivel in any direction. Swivel lock only is also available. Many expandable stem sizes available.
- LEG SPACING:** 1 5/8"

### Excellent for:

- Hospital equipment
- Schools
- Libraries
- Audio & visual aid equipment
- Food processing machinery
- Food equipment
- Metal fabrications

### Options:

- DLB** Double Locking Brake (swivel only)
- SWLB** Swivel Locking Brake (swivel only)
- TG** Thread Guards
- BB** Sealed Ball Bearings
- Z** SR, SRG & U Wheels Only
- DB** Zerk Axle & Lock Nut
- C** Derlin Bearing
- Raceway Seal

### Finish

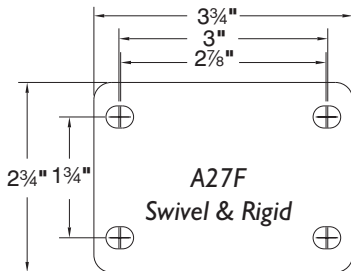
Inquiries on other finishes welcome  
2024 Black

WHEEL			CASTER			PART NUMBER		
Diameter	Tread Width	Bearing Type	Capacity Lbs.	Swivel Radius	Overall Height	Wheel Type	Swivel	Rigid
3"	1 1/4"	Steel	225	2 5/8"	4 9/16"	Hard Rubber	S2033-***-HR	R2033-***-HR
		Steel	225			High Temp Phenolic (475°)	S2033-***-HTPH	R2033-***-HTPH
		Steel	225			Phenolic	S2033-***-PH	R2033-***-PH
		Plain	225			Polyolefin	S2033-***-PO	R2033-***-PO
		Nylon	225			ProTech Flat Tread	S2033-***-PROF	R2033-***-PROF
		Ball	225			ProTech Flat Tread	S2033-***-PROF-BB-TG	R2033-***-PROF-BB-TG
		Steel	225			Soft Rubber	S2033-***-SR	R2033-***-SR
		Steel	225			Soft Rubber Grey	S2033-***-SRG	R2033-***-SRG
		Steel	225			Steel	S2033-***-ST	R2033-***-ST
		Nylon	225			Envirothane	S2033-***-U	R2033-***-U
		Nylon	225			Envirothane Grey	S2033-***-UG	R2033-***-UG
		4"	1 1/4"			Steel	250	3"
Steel	250			High Temp Phenolic (475°)	S2043-***-HTPH	R2043-***-HTPH		
Steel	250			Phenolic	S2043-***-PH	R2043-***-PH		
Ball	250			Moldon Urethane	S2043-***-PLY-BB-TG	R2043-***-PLY-BB-TG		
Plain	250			Polyolefin	S2043-***-1 1/2-PO	R2043-***-1 1/2-PO		
Ball	250			ProTech Flat Tread	S2043-***-PROF-BB-TG	R2043-***-PROF-BB-TG		
Nylon	250			ProTech Flat Tread	S2043-***-PROF	R2043-***-PROF		
Steel	250			Soft Rubber	S2043-***-SR	R2043-***-SR		
Steel	250			Soft Rubber Grey	S2043-***-SRG	R2043-***-SRG		
Steel	250			Steel	S2043-***-ST	R2043-***-ST		
Nylon	250			Envirothane	S2043-***-U	R2043-***-U		
Nylon	250			Envirothane Grey	S2043-***-UG	R2043-***-UG		
5"	1 1/4"	Steel	275	3 5/8"	6 9/16"	Hard Rubber	S2053-***-HR	R2053-***-HR
		Steel	275			High Temp Phenolic (475°)	S2053-***-HTPH	R2053-***-HTPH
		Plain	275			Polyolefin	S2053-***-PO	R2053-***-PO
		Steel	275			Phenolic	S2053-***-PH	R2053-***-PH
		Ball	275			Moldon Urethane	S2053-***-PLY-BB-TG	R2053-***-PLY-BB-TG
		Ball	275			ProTech Flat Tread	S2053-***-PROF-BB-TG	R2053-***-PROF-BB-TG
		Nylon	275			ProTech Flat Tread	S2053-***-PROF	R2053-***-PROF
		Steel	275			Soft Rubber	S2053-***-SR	R2053-***-SR
		Steel	275			Soft Rubber Grey	S2053-***-SRG	R2053-***-SRG
		Steel	275			Steel	S2053-***-ST	R2053-***-ST
		Nylon	275			Envirothane	S2053-***-U	R2053-***-U
		Nylon	275			Envirothane Grey	S2053-***-UG	R2053-***-UG

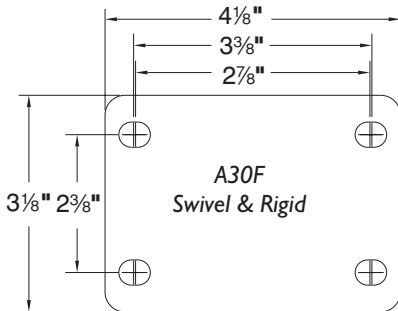
## PLATE DIAGRAM

STANDARD PLATE: A27F

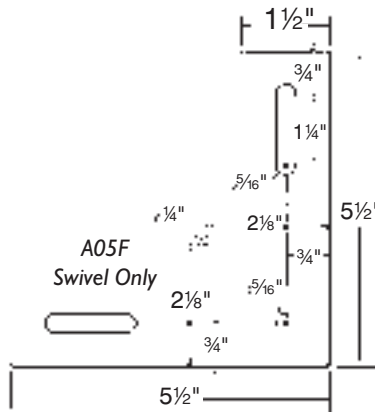
\* Plate Thickness: 5/32"



\* Attaching Bolt Size For Plate 5/16"  
(Formerly I25)



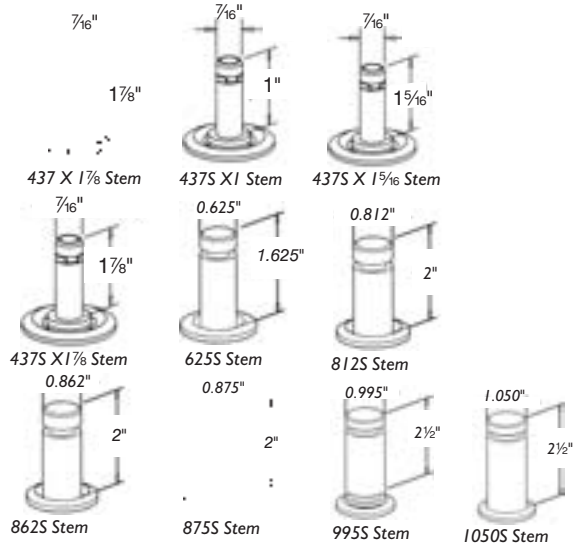
\* Attaching Bolt Size For Plate 5/16"  
(Formerly I25E)



\* Plate Thickness 5/32"

## ROUND STEMS

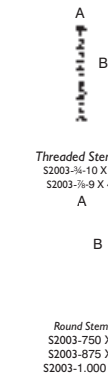
***	A	B	C
437 X 1 7/8	7/16"	1 7/8"	-
437S X 1	7/16"	1 5/16"	Friction Ring
437S X 1 5/16	7/16"	1"	Friction Ring
437S X 1 7/8	7/16"	1 5/8"	Friction Ring
625S	5/8"	1 5/8"	Friction Ring
812S	13/16"	2"	Friction Ring
862S	.862"	2"	Friction Ring
875S	7/8"	2"	Friction Ring
995S	.995"	2 1/2"	Friction Ring
1.050S	1 3/64"	2 1/2"	Friction Ring



## THREADED STEMS

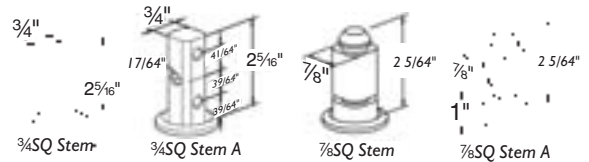
HEX WASHER			
***	A	B	C
1/2-13 X 1 HW	1/2"	1"	NC
1/2-13 X 1 1/2 HW	1/2"	1 1/2"	NC
1/2-13 X 2 1/4 HW	1/2"	2 1/4"	NC

HEX NUT			
***	A	B	C
1/2-13 X 1 HN	1/2"	1"	NC
1/2-13 X 1 1/2 HN	1/2"	1 7/8"	NC
1/2-13 X 3 1/2 HN	1/2"	3 1/2"	NC



## SQUARE STEMS

***	A	B
3/4SQ	3/4"	2"
7/8SQ	7/8"	2"



## BOLT HOLE

***	A
HOLE (3/8")	3/8"
HOLE (7/16")	7/16"
HOLE (1/2")	1/2"
HOLE (5/8")	5/8"



## SPECIAL THREADS



## EXPANDABLE ROUND & SQUARE STEMS

***	A	B	TYPE
3/4" RD EXP	3/4"	2"	RUBBER
7/8" RD EXP	7/8"	2"	RUBBER
1" RD EXP	1"	2"	RUBBER
1 1/8" RD EXP	1 1/8"	2"	RUBBER
1 3/8" RD EXP	1 3/8"	2"	RUBBER
1 1/2" RD EXP	1 1/2"	2"	RUBBER



***	A	B	TYPE
3/4" SQ EXP	3/4"	2"	RUBBER
7/8" SQ EXP	7/8"	2"	RUBBER
1" SQ EXP	1"	2"	RUBBER
1 1/8" SQ EXP	1 1/8"	2"	PLASTIC
1 3/8" SQ EXP	1 3/8"	2"	RUBBER
1 1/2" SQ EXP	1 1/2"	2"	RUBBER



## SPECIAL STEMS

***	A	B	C
3/4NPT	1"	3/4"	-
EXP	1 1/2"	3 1/2"	-

