

5200 SERIES

300 CAPACITY LBS



FEATURES

- KINGPIN:** D" diameter rivet
- RACEWAY:** 4" diameter upper race; diameter lower race
- BUSHING:** hardened steel load bearings
- AXLE & NUT:** Nylon, steel bushing or ball bearing
- FINISH:** a" axle & lock nut
- HARDENED:** Corrosion resistant bright zinc finish
- SPECIAL:** Yoke and washer
- LEG SPACING:** Metal dust cover helps protect swivel raceway. Cart washable.



S5205-A25D-PLY-BB-TG

Excellent for:

- Bakery equipment
- Kitchen dollies
- Hospital & medical equipment
- Housekeeping & linen carts

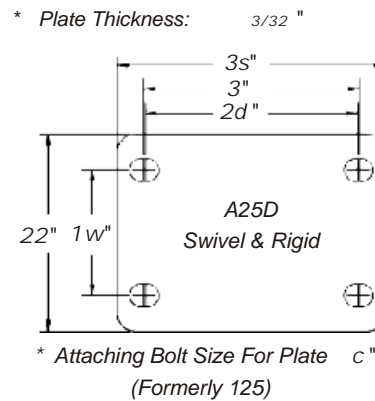
Options:

- TLB** Top Locking Brake
 - TG** Thread Guards
 - BB** Ball Bearings
 - ZN** Zerk Axle & Lock Nut
- SR, SRG & U Wheels Only*

Finish

- 5222** Chrome
- 5224** Black
- 5225** Yellow Chromate

PLATE DIAGRAM



WHEEL			CASTER			PART NUMBER						
Diameter	Tread Width	Bearing Type	Capacity Lbs.	Swivel Radius	Overall Height	Wheel Type	Swivel	Rigid				
3"	1 1/4"	Nylon	250	2 1/2"	4 1/2"	Hard Rubber	S5203-A25D-H	R5203-A25D-H				
		Plain	250			Polyolefin	S5203-A25D-P	R5203-A25D-P				
		Ball	250			ProTech Flat Tread	S5203-A25D-PROF-BB-TG	R5203-A25D-PROF-BB-TG				
		Nylon	250			ProTech Flat Tread	S5203-A25D-PRO	R5203-A25D-PRO				
		Nylon	250			Soft Rubber	S5203-A25D-S	R5203-A25D-SR				
		Nylon	250			Soft Rubber Grey	S5203-A25D-SR	R5203-A25D-SRG				
		Steel	250			Steel	S5203-A25D-ST	R5203-A25D-ST				
		Nylon	250			Envirothane	S5203-A25D-U	R5203-A25D-U				
		Nylon	250			Envirothane Grey	S5203-A25D-UG	R5203-A25D-UG				
		Steel	300			High Temp Phenolic (475°)	S5203-A25D-HTPH	R5203-A25D-HTPH				
		Steel	300			Phenolic	S5203-A25D-PH	R5203-A25D-PH				
		3 1/2"	1 1/4"			Annular	225	3 1/2"	4 1/2"	Moldon Alum. Rubber	S5235-A25D-MAR-AB	R5235-A25D-MAR-AB
Nylon	250			Hard Rubber	S5235-A25D-HR	R5235-A25D-HR						
Nylon	250			Soft Rubber	S5235-A25D-SR	R5235-A25D-SR						
Nylon	250			Hard Rubber	S5204-A25D-HR	R5204-A25D-HR						
Annular	250			Moldon Alum. Rubber	S5204-A25D-MAR-AB	R5204-A25D-MAR-AB						
Plain	250			Polyolefin	S5204-A25D-1PO	R5204-A25D-1PO						
4"	1 1/4"	Ball	250	3 1/2"	5 1/8"	ProTech Flat Tread	S5204-A25D-PROF-BB-TG	R5204-A25D-PROF-BB-TG				
		Nylon	250			ProTech Flat Tread	S5204-A25D-PROF	R5204-A25D-PROF				
		Nylon	250			Soft Rubber	S5204-A25D-SR	R5204-A25D-SR				
		Nylon	250			Soft Rubber Grey	S5204-A25D-SRG	R5204-A25D-SRG				
		Steel	250			Steel	S5204-A25D-ST	R5204-A25D-ST				
		Nylon	250			Envirothane	S5204-A25D-U	R5204-A25D-U				
		Nylon	300			Envirothane Grey	S5204-A25D-UG	R5204-A25D-UG				
		Steel	300			High Temp. Phenolic (475°)	S5204-A25D-HTPH	R5204-A25D-HTPH				
		Steel	250			Phenolic	S5204-A25D-PH	R5204-A25D-PH				
		5"	1 1/4"			Nylon	250	4"	6 1/8"	Hard Rubber	S5205-A25D-HR	R5205-A25D-HR
						Plain	250			Polyolefin	S5205-A25D-1PO	R5205-A25D-1PO
						Ball	250			ProTech Flat Tread	S5205-A25D-PROF-BB-TG	R5205-A25D-PROF-BB-TG
Nylon	250			ProTech Flat Tread	S5205-A25D-PROF	R5205-A25D-PROF						
Nylon	250			Soft Rubber	S5205-A25D-SR	R5205-A25D-SR						
Nylon	250			Soft Rubber Grey	S5205-A25D-SRG	R5205-A25D-SRG						
Steel	250			Steel	S5205-A25D-ST	R5205-A25D-ST						
Nylon	250			Envirothane	S5205-A25D-U	R5205-A25D-U						
Nylon	275			Envirothane Grey	S5205-A25D-UG	R5205-A25D-UG						
Annular	300			Moldon Alum. Rubber	S5205-A25D-MAR-AB	R5205-A25D-MAR-AB						
Steel	300			High Temp Phenolic (475°)	S5205-A25D-HTPH	R5205-A25D-HTPH						
Steel	250			Phenolic	S5205-A25D-PH	R5205-A25D-PH						