

Bassick

POSITION FLOOR LOCKS

For castered equipment in factory and warehouse

A position lock lets you immobilize equipment in any desired location, but does not interfere with its movement when not in use. Platform trucks, fixture dollies or other castered items can be locked in place by a simple foot pressure.

Locking action is created when a large, round friction face of nearly 10 sq. inches in area is pressed against the floor with the force of 70 to 100 lbs.

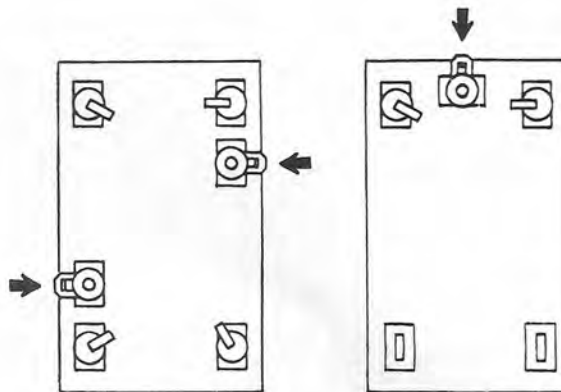
The position lock does not lift the equipment as the spring-allowed applied force is not as heavy as the weight of the castered item.

F430, F550 and F802 position locks have aluminum lacquer finish.

F410, F600, F800 position locks have bronze lacquer finish.



F430



INSTALLATION INFORMATION

Where there are four swivel casters on a piece of equipment, use at least two position locks mounted diagonally to each other (See drawing at left).

When a piece of equipment has two swivel and two rigid casters, only one position lock is needed (See drawing at left).

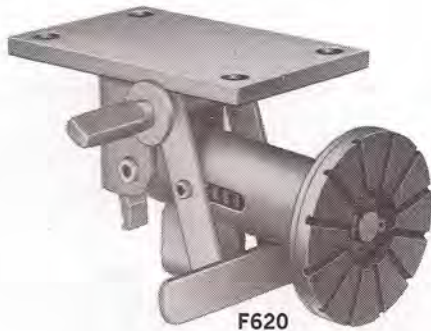
Mounting Height in.	Retracted Height in.	MOUNTING PLATE			Used With Caster Series	Approx. Weight lbs.	LOCK NUMBER	
		Size in.	Bolt Hole Spacing in.	Bolt Dia. in.			Bassick No.	Stand. EDP No.
5 $\frac{5}{8}$ 5 $\frac{13}{32}$	4 $\frac{11}{16}$ 4 $\frac{11}{16}$	3 $\frac{11}{16}$ x 5 $\frac{3}{8}$ 3 $\frac{11}{16}$ x 5 $\frac{3}{8}$	2 $\frac{3}{8}$ x 3 $\frac{3}{8}$ 2 $\frac{3}{8}$ x 3 $\frac{3}{8}$	$\frac{3}{8}$ $\frac{3}{8}$	4" Series XX, MS	8 8	F410 F430	10756 10757
7 $\frac{1}{4}$ 7 $\frac{3}{4}$	6 $\frac{1}{4}$ 6 $\frac{3}{4}$	4 $\frac{1}{2}$ x 6 4 $\frac{1}{2}$ x 6	2 $\frac{7}{16}$ x 4 $\frac{15}{16}$ 2 $\frac{7}{16}$ x 4 $\frac{15}{16}$	$\frac{1}{2}$ $\frac{1}{2}$	6" Series ES	10 10	F550 F600	10758 10759
9 $\frac{15}{16}$ 10 $\frac{1}{4}$	8 $\frac{3}{8}$ 9 $\frac{1}{4}$	5 $\frac{3}{8}$ x 7 $\frac{1}{4}$ 5 $\frac{3}{8}$ x 7 $\frac{1}{4}$	3 $\frac{3}{8}$ x 5 $\frac{1}{4}$ 3 $\frac{3}{8}$ x 5 $\frac{1}{4}$	$\frac{1}{2}$ $\frac{1}{2}$	8" Series S99	14 15	F802 F800	10765 10763

RETRACTABLE POSITION LOCKS

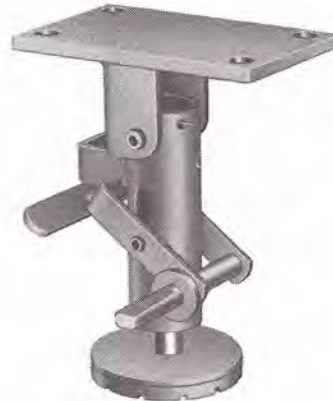
For castered warehouse trucks and carriers

These locks are mounted on the outer edge of a truck and are swung out of the way when not in use. In the latter position they have a ground clearance of 3¼", making them desirable for use in areas of rough floors, door sills, ramps,

etc., which might damage conventional position locks. Retractable position locks are swung into position and engaged by foot pressure. They have an aluminum lacquer finish for rust prevention.



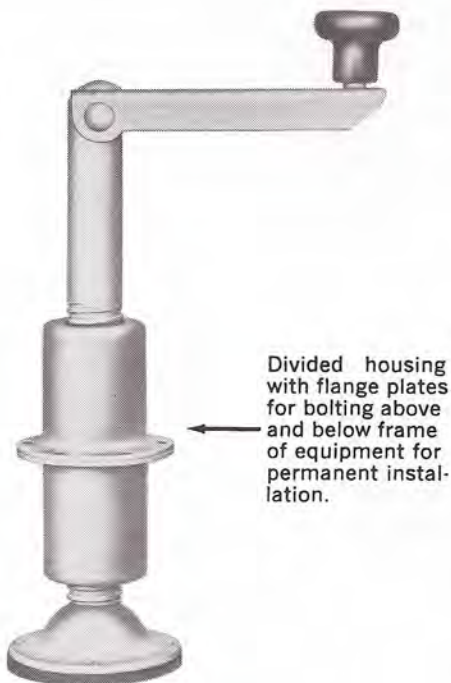
F620



Mounting Height In.	Retracted Height In.	MOUNTING PLATE			Used With Caster Series	Approx. Weight Lbs.	LOCK NUMBER	
		Size In.	Bolt Hole Spacing In.	Bolt Dia. In.			Bassick No.	Stand. EDP No.
7¾	4½	3¾ x 6¼	27/16 x 415/16	½	6" Series ES	5¼	F620	10762

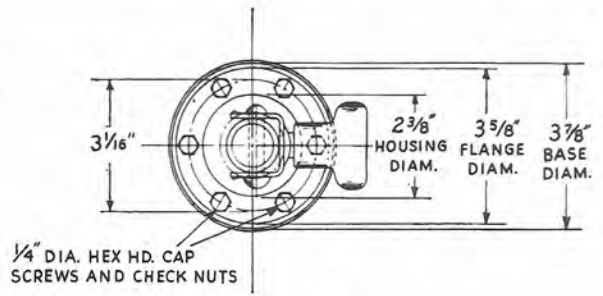
LEVELIZING JACKS

For leveling and stabilizing portable equipment



A625

Divided housing with flange plates for bolting above and below frame of equipment for permanent installation.



An economical and practical method for leveling and stabilizing portable equipment such as work platforms. They are used to brake equipment in place and elevate it to a required height.

These screw jacks can be used in areas where position locks cannot be applied. The hand crank has a radius of 7¼". All exposed metal parts are zinc plated for rust prevention.

Overall Height In.	Minimum Height below frame of equipment In.	Maximum Extended Hgt. below frame of equipment In.	Length of Screw Travel In.	Approx. Weight Lbs.	JACK NUMBER	
					Bassick No.	Stand. EDP No.
18	4½	13½	9	10½	A625	10768
26	4½	21½	17	12½	A622	10767
30	4½	25½	21	14	A627	10769