

CARRYMASTER

By

SERVICE CASTER CORP.

1-800-215-8220



Service Caster Corp., 9 First Avenue, West Reading, PA 19611

MOBILITY STABILITY QUALITY



“Carrymaster’s leveling foot can be easlily raised and lowered either by hand or wrench.”

AC-50

● LIGHT DUTY PURPOSE

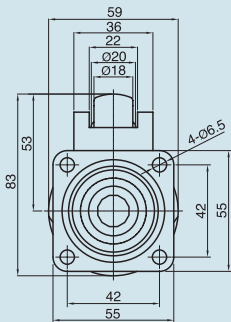


AC-50F

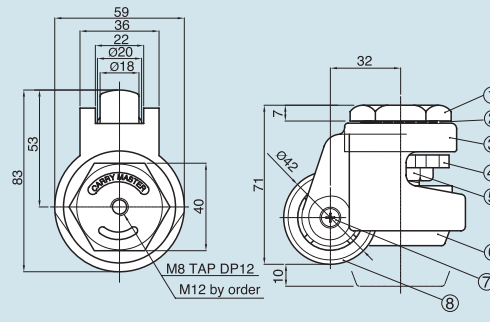
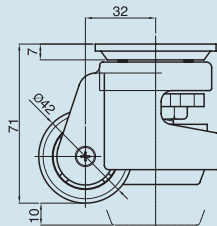


AC-50S

- Max Load Capacity with 1 Caster - **55 Lbs.**
- Recommended Load Capacity with 4 Casters - **220 Lbs.**
- Unit Weight - F Type: **0.84 Lbs. ea.**
S Type: **0.84 Lbs. ea.**



"F" Type



"S" Type

*Measurement in mm (Millimeter)

	Parts	Materials	Treatments
①	Top plate	SM45C	Zn Galvanized
②	Ball	STB2	Ni-Cr
③	Frame	ADC8	Powder Coated
④	Handle	NYLON-6	Red

	Parts	Materials	Treatments
⑤	Leveler(M-8)	SM45C	Zn Galvanized
⑥	Foot	*N.B.R.	Black
⑦	Pin	SM45C	Zn Galvanized
⑧	Wheel	NYLON-6	Black

*Urethane by order

DESIGN

DIMENSIONS (unit=mm)

MATERIALS

AC-300

● LIGHT DUTY PURPOSE

DESIGN



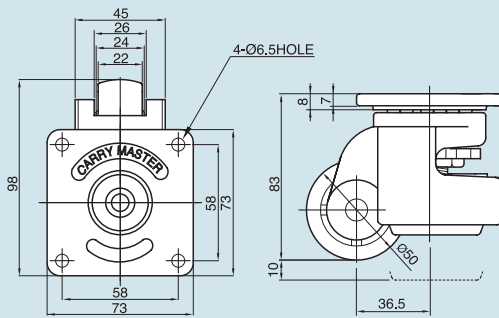
AC-300 F



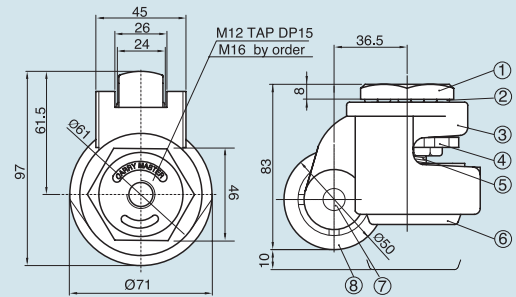
AC-300 S

- Maximum Load Capacity with 1 Caster - **330 Lbs.**
- Recommended Load Capacity with 4 Casters - **1,320 Lbs.**
- Unit Weight - F Type: **1.67 Lbs. ea.**
S Type: **1.67 Lbs. ea.**

DIMENSIONS (unit=mm)



"F" Type



"S" Type

*Measurement in mm (Millimeter)

MATERIALS

	Parts	Materials	Treatments
①	Top plate	SM45C	Zn Galvanized
②	Ball	STB2	Ni-Cr
③	Frame	ADC8	Powder Coated
④	Handle	NYLON-6	Red

	Parts	Materials	Treatments
⑤	Leveler(M-10)	SM45C	Zn Galvanized
⑥	Foot	*N.B.R.	Black
⑦	Pin	SM45C	Zn Galvanized
⑧	Wheel	NYLON-6	Black

*Urethane by order

AC-600

● MEDIUM DUTY PURPOSE

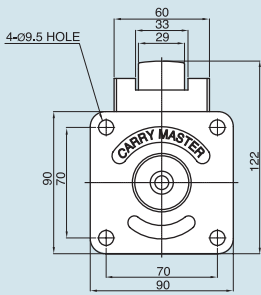


AC-600F

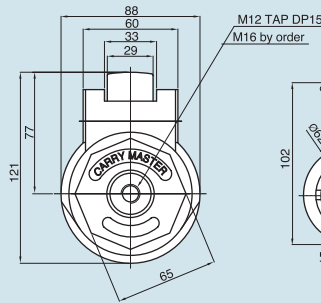
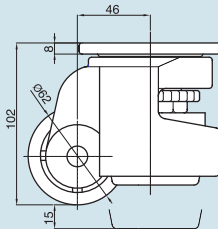


AC-600S

- Maximum Load Capacity with 1 Caster - **660 Lbs.**
- Recommended Load Capacity with 4 Casters - **2,640 Lbs.**
- Unit Weight - F Type: **3.04 Lbs. ea.**
S Type: **2.46 Lbs. ea.**



"F" Type



"S" Type

*Measurement in mm (Millimeter)

	Parts	Materials	Treatments
①	Top plate	SM45C	Zn Galvanized
②	Ball	STB2	Ni-Cr
③	Frame	ADC8	Powder Coated
④	Handle	NYLON-6	Red

	Parts	Materials	Treatments
⑤	Leveler(M-12)	SM45C	Zn Galvanized
⑥	Foot	*N.B.R.	Black
⑦	Pin	SM45C	Zn Galvanized
⑧	Wheel	NYLON-6	Black

*Urethane by order

DESIGN

DIMENSIONS (unit=mm)

MATERIALS

AC-1000

● MEDIUM DUTY PURPOSE

DESIGN

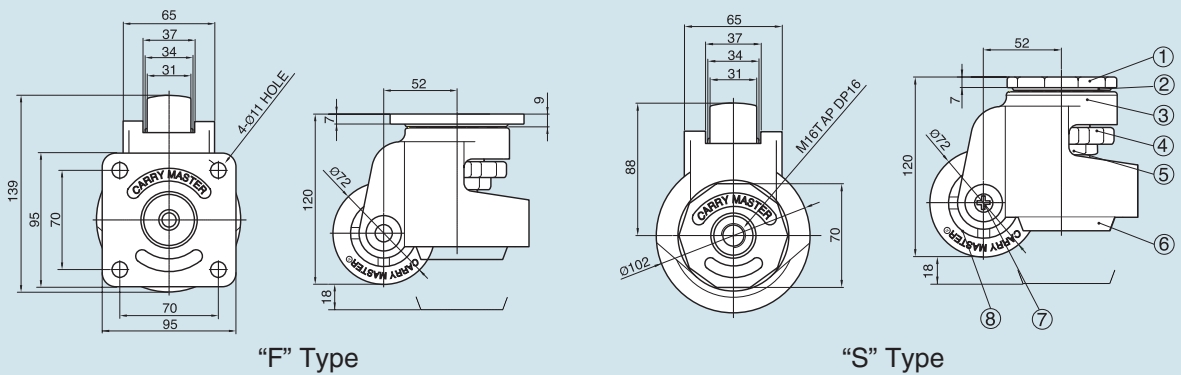


AC-1000 F

AC-1000 S

- Maximum Load Capacity with 1 Caster - **1,100 Lbs.**
- Recommended Load Capacity with 4 Casters - **4,400 Lbs.**
- Unit Weight - F Type: **4.01 Lbs. ea.**
S Type: **3.43 Lbs. ea.**

DIMENSIONS (unit=mm)



*Measurement in mm (Millimeter)

MATERIALS

	Parts	Materials	Treatments
①	Top plate	SM45C	Zn Galvanized
②	Ball	STB2	Ni-Cr
③	Frame	ADC8	Powder Coated
④	Handle	NYLON-6	Red

	Parts	Materials	Treatments
⑤	Leveler(M-12)	SM45C	Zn Galvanized
⑥	Foot	*N.B.R.	Black
⑦	Pin	SM45C	Zn Galvanized
⑧	Wheel	NYLON-6	Black

*Urethane by order

AC-1800

● ULTRA HEAVY DUTY PURPOSE

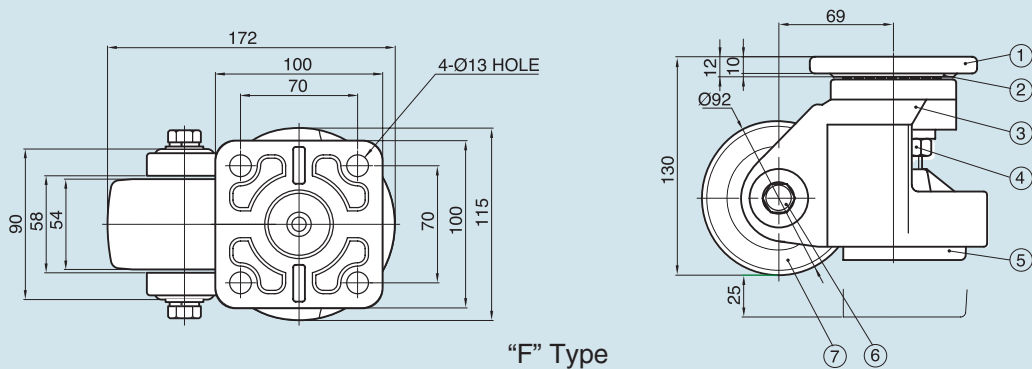
DESIGN



AC-1800F

- Maximum Load Capacity with 1 Castor - **1,984 Lbs.**
- Recommended Load Capacity with 4 Casters - **7,920 Lbs.**
- Weight - **F-Type 11.88 Lbs.**

DIMENSIONS (unit=mm)



“F” Type

*Measurement in mm (Millimeter)

MATERIALS

	Parts	Materials	Treatments
①	Top plate	SM45C	Zn Galvanized
②	Ball	STB2	Ni-Cr
③	Frame	GCD45	Powder Coated
④	Leveler (M-20)	SUS304	

	Parts	Materials	Treatments
⑤	Foot	ADC8	Black
⑥	Pin	SM45C	Zn Galvanized
⑦	Wheel	MC Nylon	Sky Blue

ACM-600F, ACMT-600F

MEDIUM DUTY PURPOSE

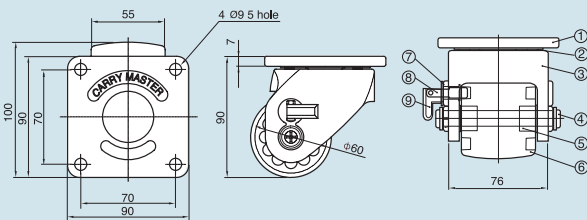


ACM-600F Brake Type

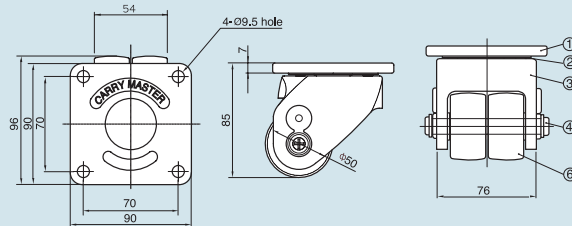


ACMT-600F Type

- Maximum Load Capacity with 1 Caster - **881 Lbs.**
- Recommended Load Capacity with 4 Casters - **3,527 Lbs.**
- Weight - **Brake-Type 2.51 Lbs.**
Non-Brake-Type 2.23 Lbs.



ACM-600 Brake Type



ACMT-600 Type

*Measurement in mm (Millimeter)

	Parts	Materials	Treatments
①	Top plate	SM45C	Zn Galvanized
②	Ball	STB2	Ni-Cr
③	Frame	ADC8	Ivory, Ni-Cr
④	Pin	SM45C	Zn
⑤	Bearing	HK1212	

	Parts	Materials	Treatments
⑥	Wheel	Nylon-6	Black
⑦	Spring	SWP3	Ni
⑧	Brake	SUM24L	Ni
⑨	Handle	SUS304	Black

DESIGN

DIMENSIONS (unit=mm)

MATERIALS

ACM-800F, ACMT-800F

MEDIUM DUTY PURPOSE

DESIGN



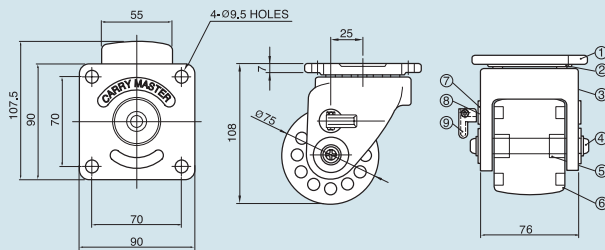
ACM-800F Brake Type



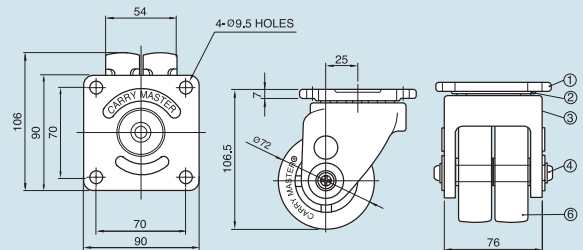
ACMT-800F Type

- Maximum Load Capacity with 1 Castor - **1,100 Lbs.**
- Recommended Load Capacity with 4 Casters - **4,400 Lbs.**
- Weight - **Brake Type- 2.56 Lbs.**
Non-Brake Type- 2.95 Lbs.

DIMENSIONS (unit=mm)



ACM-800 Brake Type



ACMT-800 Type

*Measurement in mm (Millimeter)

MATERIALS

	Parts	Materials	Treatments
①	Top plate	SM45C	Zn Galvanized
②	Ball	STB2	Ni-Cr
③	Frame	ADC8	Ivory, Ni-Cr
④	Pin	SM45C	Zn
⑤	Bearing	HK1212	

	Parts	Materials	Treatments
⑥	Wheel	Nylon-6	Black
⑦	Spring	SWP3	Ni
⑧	Brake	SUM24L	Ni
⑨	Handle	SUS304	Black

ALC-1000, ALCT-1000F

MEDIUM DUTY PURPOSE

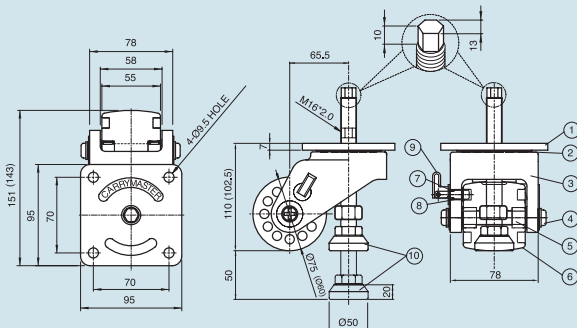


ALC-1000F Brake Type

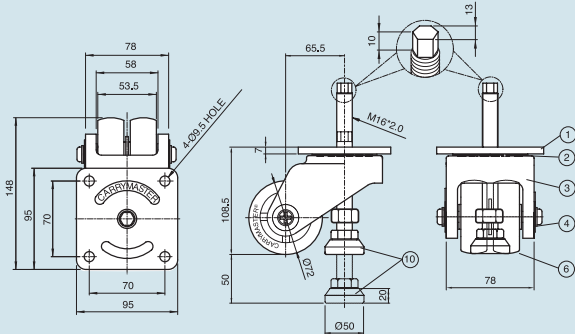


ALCT-1000F Type

- Maximum Load Capacity with 1 Caster - **1,100 Lbs.**
- Recommended Load Capacity with 4 Casters - **4,410 Lbs.**
- Weight - **ALC-Type 4.51 Lbs.**
ALCT-Type 4.18 Lbs.



ALC-1000F Type



ALCT-1000F Type

*Measurement in mm (Millimeter)

Parts	Materials	Treatments
① Top plate	SM45C	Zn
② Ball	STB2	Ni-Cr
③ Frame	ADC8	Ivory, Ni-Cr
④ Pin	SM45C	Zn
⑤ Bearing	6301Z	

Parts	Materials	Treatments
⑥ Wheel	Nylon-6	Black
⑦ Spring	SWP3	Ni
⑧ Brake	SUM24L	Ni
⑨ Handle	SUS304	Black
⑩ Foot	Zn	Ni

DESIGN

DIMENSIONS (unit=mm)

MATERIALS

APLC-700F, APLC-200F

MEDIUM DUTY PURPOSE

DESIGN



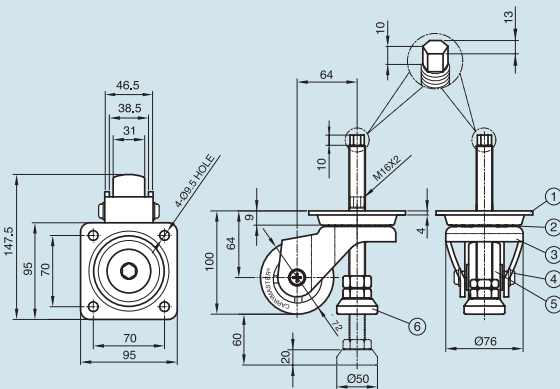
APLC-700F Type



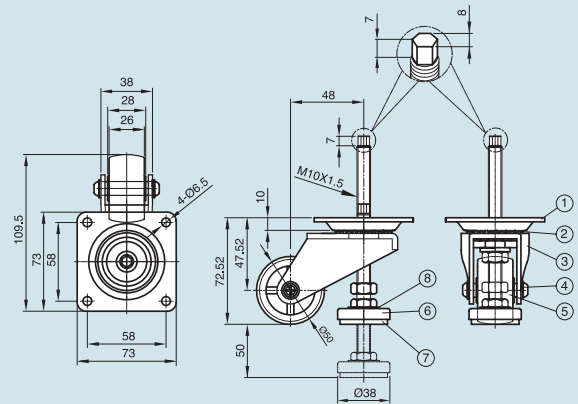
APLC-200F Type

- Maximum Load Capacity with 1 Caster - APLC-700F: **772 Lbs.** APLC-200F: **220 Lbs.**
- Recommended Load Capacity with 4 Casters - APLC-700F: **3,086 Lbs.** APLC-200F: **880 Lbs.**
- Weight - **APLC-700F - 3.35 Lbs.**
APLC-200F - 1.23 Lbs.

DIMENSIONS (unit=mm)



APLC-700 Type



APLC-200 Type

*Measurement in mm (Millimeter)

MATERIALS

	Parts	Materials	Treatments
①	Top plate	SPC4T	Zn
②	Ball	STB2	Ni-Cr
③	Frame	SPC4.5T	Zn
④	Pin	SM45C	Zn
⑤	Wheel	Nylon-6	Black
⑥	Foot	Zn	

	Parts	Materials	Treatments
①	Top plate	SPC3T	Zn
②	Ball	STB2	Ni-Cr
③	Frame	SPC4T	Zn
④	Pin	SM45C	Zn
⑤	Wheel	Nylon-6	Black
⑥	Cup	SPC	Zn
⑦	Foot	NBR	Black
⑧	Washer	PE	White

ACT-400

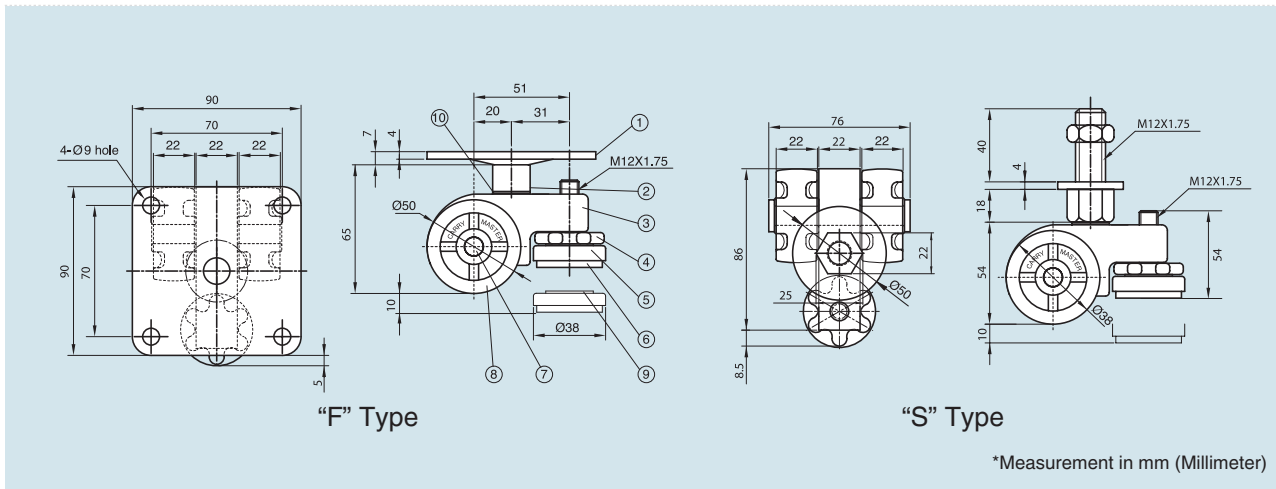
● LIGHT DUTY PURPOSE



ACT-400F

ACT-400S

- Maximum Load Capacity with 1 Caster - **220 Lbs.**
- Recommended Load Capacity with 4 Casters - **880 Lbs.**
- Weight - **F-Type 1.37 Lbs.**
S-Type 1.10 Lbs.



"F" Type

"S" Type

*Measurement in mm (Millimeter)

	Parts	Materials	Treatments
①	Top plate	SPC	Zn Galvanized
②	Shaft	SM45C	Zn Galvanized
③	Frame	ADC8	
④	Leveler (M-12)	SM45C	Zn Galvanized
⑤			

	Parts	Materials	Treatments
⑥	Foot	N.B.R	Black
⑦	Pin	SM45C	Zn Galvanized
⑧	Wheel	Nylon-6	Black
⑨	Washer	PE	White
⑩	Washer	SUS304	Ni

DESIGN

DIMENSIONS (unit=mm)

MATERIALS

ACT-800

MEDIUM DUTY PURPOSE

DESIGN

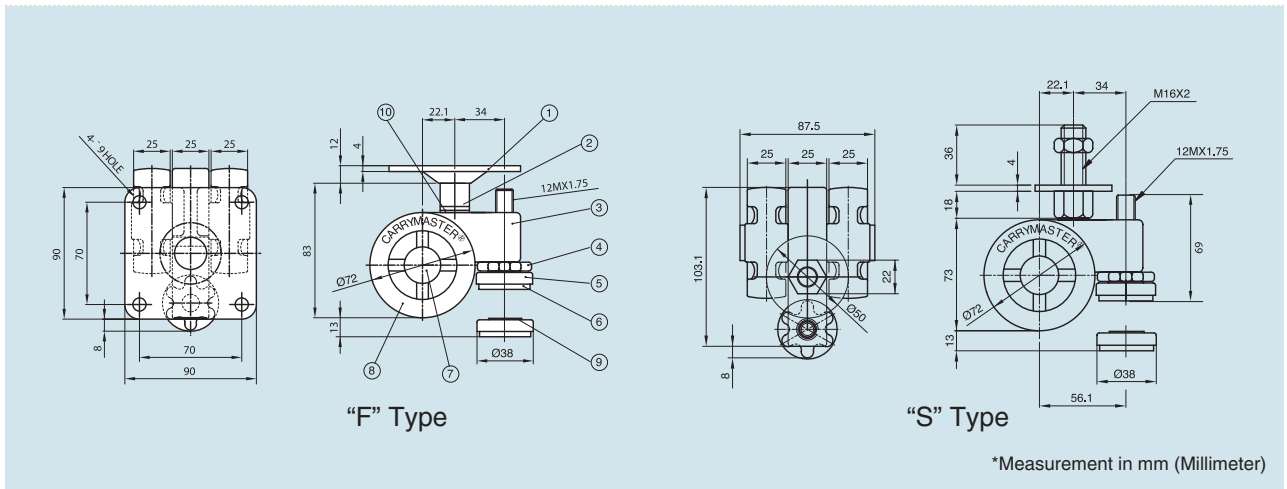


ACT-800F

ACT-800S

- Maximum Load Capacity with 1 Caster - **440 Lbs.**
- Recommended Load Capacity with 4 Casters - **1,764 Lbs.**
- Weight - F-Type **1.89 Lbs.**
S-Type **1.72 Lbs.**

DIMENSIONS (unit=mm)



MATERIALS

	Parts	Materials	Treatments
①	Top plate	SPC	Zn Galvanized
②	Shaft	SM45C	Zn Galvanized
③	Frame	ADC8	
④	Leveler (M-12)	SM45C	Zn Galvanized
⑤			

	Parts	Materials	Treatments
⑥	Foot	N.B.R	Black
⑦	Pin	SM45C	Zn Galvanized
⑧	Wheel	Nylon-6	Black
⑨	Washer	PE	White
⑩	Washer	SUS304	Ni

ACP-200

● LIGHT DUTY PURPOSE



F-Type



S-Type

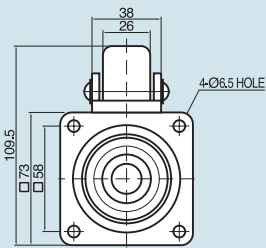


F-Type

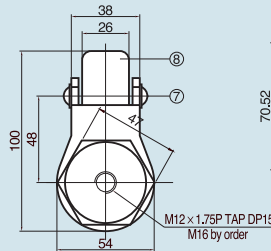
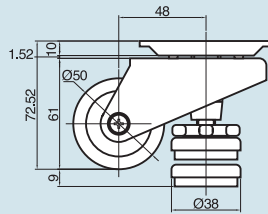


S-Type

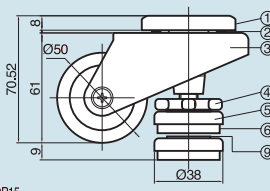
- Maximum Load Capacity with 1 Caster - **220 Lbs.**
- Recommended Load Capacity with 4 Casters - **880 Lbs.**
- Weight - **F-Type- 1.23 Lbs.**
S-Type - 1.15 Lbs.



"F" Type



"S" Type



*Measurement in mm (Millimeter)

	Parts	Materials	Treatments
①	Top plate	SPC	No2 & Zn Galvanized
②	Ball	STB2	Ni-Cr
③	Frame	SPC	No2 & Zn Galvanized
④	Leveler (M-10)	SM45C	No2 & Zn Galvanized
⑤	Cup	SPC	No2 & Zn Galvanized

	Parts	Materials	Treatments
⑥	Foot	N.B.R.	Black
⑦	Pin	SM45C	No2 & Zn Galvanized
⑧	Wheel	Nylon-6	Black
⑨	Washer	PE	White

DESIGN

DIMENSIONS (unit=mm)

MATERIALS

