

2 SERIES

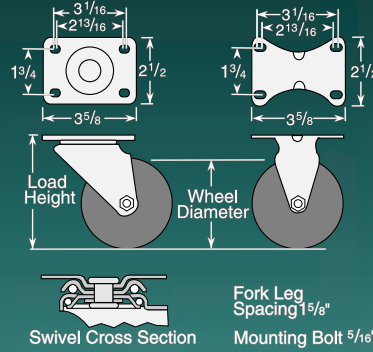
Capacity up to 325 lbs each

STAINLESS STEEL

Standard Features

- Polished 304 grade stainless steel finish handles the most punishing, corrosive conditions
- Double ball raceways for better performance and greater durability
- All component parts, including spanner bushing, axle and nut are stainless steel
- Designed to perform in the most hostile environments
- If rust is a problem...Colson stainless steel is the solution

Stainless Steel Top Plate Swivel & Rigid



Performance Options

Caster Brake

Tech Lock (See page 11)
Available on all swivel models. Field installable (Specify **BRK2**).

Fork Option

NSF Listed (See page 1)
All models except thread guards and cast iron wheels (Specify **FSI**).



Wheel Option

Thread Guards (See page 14)
Available on many models (Specify **TG2** for plastic).

Wheel Selection



PERFORMA FLAT TREAD

PERFORMA ROUND TREAD

POLYOLEFIN

THERMOTECH

THERMO

POLYURETHANE HI-TECH

2 SERIES · Stainless Steel Top Plate Swivel & Rigid · Capacity up to 325 lbs

Wheel Dia.	Tread Width	Capacity Each (Pounds)	Wheel Descriptions	Wheel Bearing	Swivel Top Plate Caster Models	Rigid Top Plate Caster Models	Load Height	Swivel Radius	Weight (Pounds)
4"	1 1/4"	250	ThermoTech®	Teflon	2.04456.613H	2.04408.613H	5 1/8	3 5/16	3
		275	Polyolefin	Delrin	2.04456.544	2.04408.544	5 1/8	3 5/16	2 1/8
		275	Polyurethane HI-TECH	Delrin	2.04456.944	2.04408.944	5 1/8	3 5/16	2 1/8
		300	Performa Rubber (Flat Tread)	Delrin	2.04456.444	2.04408.444	5 1/8	3 5/16	2 1/4
		700	Thermo	Plain	2.04456.52HT	2.04408.52HT	5 1/8	3 5/16	2 1/4
5"	1 1/4"	250	ThermoTech®	Teflon	2.05456.613H	2.05408.613H	6 3/16	4 1/16	3
		300	Polyolefin	Delrin	2.05456.544	2.05408.544	6 3/16	4 1/16	2 5/8
		300	Polyurethane HI-TECH	Delrin	2.05456.944	2.05408.944	6 3/16	4 1/16	2 5/8
		325	Performa Rubber (Flat Tread)	Delrin	2.05456.444	2.05408.444	6 3/16	4 1/16	2 3/4
		325	Thermo	Plain	2.05456.52HT	2.05408.52HT	6 3/16	4 1/16	2 3/4
	1 5/16"	250	Performa Rubber (Round Grey Tread)	Delrin	2.05456.565	2.05408.565	6 3/16	4 1/16	2 3/4

4 SERIES

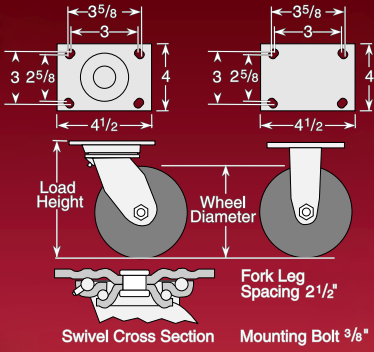
Capacity up to 1250 lbs each

STAINLESS
STEEL

Standard Features

- Polished stainless steel (Grade 304)
- 1/2" stainless steel hollow axle with grease zerk, nut and lock washer
- 1/4" steel top plate for durability
- Permanent rivet king pin with 5/8" diameter rivet
- Grease fittings: wheel bearing and swivel raceway
- "Colson 45" multi-temp grease lubricates in extreme hot and cold temperatures
- NSF Listed

Stainless Steel Top Plate Swivel & Rigid



All 4 Series swivel forks are notched to accommodate four position swivel locks.

Performance Options

Caster Brake

Tech Lock® (See page 12). Available on all swivel and 6" rigid casters (Specify **BRK2**).
Side Lock New stainless steel design available on all swivel casters with Delrin bearing. Field installable (Specify **BRK3** with one-piece Delrin bearing).

Fork/Wheel Options

New Foot Activated Swivel Lock (See page 13).
DirtBan Swivel Seal (See page 14).
Thread Guards (See page 14) – Available on many models (Specify **TG2** for plastic).

Wheel Selection



4 SERIES • Stainless Steel Top Plate Swivel & Rigid • Capacity up to 1250 lbs

Wheel Dia.	Tread Width	Capacity Each (Pounds)	Wheel Descriptions	Swivel Top Plate SS Roller Bearing Caster Models	Rigid Top Plate SS Roller Bearing Caster Models	Wheel Bearing	Load Height	Swivel Radius	Weight (Pounds)
4"	2"	300	Performa Rubber (Flat/Conductive)	4.04109.459 CONDSS	4.04108.459 CONDSS	—	5 ⁵ / ₈	3 ⁹ / ₁₆	5 ³ / ₄
		350	Performa Rubber (Flat Black)	4.04109.459.2 SS	4.04108.459.2 SS	Delrin, Bronze	5 ⁵ / ₈	3 ⁹ / ₁₆	5 ³ / ₄
			Performa Rubber (Flat Grey)	4.04109.459 SS	4.04108.459 SS	Delrin, Bronze	5 ⁵ / ₈	3 ⁹ / ₁₆	5 ³ / ₄
		500	Polyolefin	4.04109.839 SS	4.04108.839 SS	Delrin, Bronze, Plain	5 ⁵ / ₈	3 ⁹ / ₁₆	4 ¹ / ₂
		600	Polyurethane HI-TECH	4.04109.929 SS	4.04108.929 SS	Delrin, Bronze	5 ⁵ / ₈	3 ⁹ / ₁₆	4 ³ / ₄
		800	Maxim	4.04109.539 SS	4.04108.539 SS	Delrin, Bronze	5 ⁵ / ₈	3 ⁹ / ₁₆	5 ³ / ₄
			Phenolic	4.04109.339 SS	4.04108.339 SS	Delrin, Bronze	5 ⁵ / ₈	3 ⁹ / ₁₆	5 ³ / ₄
			Thermo	4.04109.839 HT SS	4.04108.839 HT SS	Plain, Bronze	5 ⁵ / ₈	3 ⁹ / ₁₆	5 ³ / ₄
1000	Endura Solid Elastomer	4.04109.839.EN SS	4.04108.839.EN SS	Delrin, Bronze	5 ⁵ / ₈	3 ⁹ / ₁₆	5 ³ / ₄		
5"	2"	325	Performa Rubber (Flat/Conductive)	4.05109.459 CONDSS	4.05108.459 CONDSS	—	6 ¹ / ₂	4 ¹ / ₄	6 ¹ / ₈
		375	Performa Rubber (Flat Black)	4.05109.459.2 SS	4.05108.459.2 SS	Delrin, Bronze	6 ¹ / ₂	4 ¹ / ₄	6 ¹ / ₈
			Performa Rubber (Flat Grey)	4.05109.459 SS	4.05108.459 SS	Delrin, Bronze	6 ¹ / ₂	4 ¹ / ₄	6 ¹ / ₈
		650	Polyolefin	4.05109.839 SS	4.05108.839 SS	Delrin, Bronze, Plain	6 ¹ / ₂	4 ¹ / ₄	47/8
		750	Polyurethane HI-TECH	4.05109.929 SS	4.05108.929 SS	Delrin, Bronze	6 ¹ / ₂	4 ¹ / ₄	47/8
		1000	Maxim	4.05109.539 SS	4.05108.539 SS	Delrin, Bronze	6 ¹ / ₂	4 ¹ / ₄	57/8
			Thermo	4.05109.339 SS	4.05108.339 SS	Delrin, Bronze	6 ¹ / ₂	4 ¹ / ₄	57/8
			Phenolic	4.05109.839 HT SS	4.05108.839 HT SS	Plain, Bronze	6 ¹ / ₂	4 ¹ / ₄	57/8
Endura Solid Elastomer	4.05109.839.EN SS	4.05108.839.EN SS	Delrin, Bronze	6 ¹ / ₂	4 ¹ / ₄	57/8			
6"	2"	410	Performa Rubber (Flat/Conductive)	4.06109.459.2 CONDSS	4.06108.459.2 CONDSS	—	7 ¹ / ₂	5	6 ¹ / ₈
		450	Performa Rubber (Round Grey)	4.06109.559 SS	4.06108.559 SS	Delrin, Bronze	7 ¹ / ₂	5	7 ¹ / ₈
		600	Performa Rubber (Flat Black)	4.06109.459.2 SS	4.06108.459.2 SS	Delrin, Bronze	7 ¹ / ₂	5	7 ¹ / ₈
			Performa Rubber (Flat Grey)	4.06109.459 SS	4.06108.459 SS	Delrin, Bronze	7 ¹ / ₂	5	7 ¹ / ₈
		700	Polyolefin	4.06109.839 SS	4.06108.839 SS	Delrin, Bronze, Plain	7 ¹ / ₂	5	5 ¹ / ₂
		900	Polyurethane HI-TECH	4.06109.929 SS	4.06108.929 SS	Delrin, Bronze	7 ¹ / ₂	5	5
		1100	Endura Solid Elastomer	4.06109.839.EN SS	4.06108.839.EN SS	Delrin, Bronze	7 ¹ / ₂	5	6
			Thermo	4.06109.839 HT SS	4.06108.839 HT SS	Plain, Bronze	7 ¹ / ₂	5	6
		1200	Maxim	4.06109.539 SS	4.06108.539 SS	Delrin, Bronze	7 ¹ / ₂	5	6
			Phenolic	4.06109.339 SS	4.06108.339 SS	Delrin, Bronze	7 ¹ / ₂	5	6
8"	2"	500	Performa Rubber (Flat/Conductive)	4.08199.459 CONDSS	4.08198.459 CONDSS	—	9 ¹ / ₂	6 ¹ / ₂	6 ¹ / ₄
		600	Performa Rubber (Round Grey)	4.08199.559 SS	4.08198.559 SS	Delrin, Bronze	9 ¹ / ₂	6 ¹ / ₂	8 ¹ / ₈
		675	Performa Rubber (Flat Black)	4.08199.459.2 SS	4.08198.459.2 SS	Delrin, Bronze	9 ¹ / ₂	6 ¹ / ₂	8 ¹ / ₈
			Performa Rubber (Flat Grey)	4.08199.459 SS	4.08198.459 SS	Delrin, Bronze	9 ¹ / ₂	6 ¹ / ₂	8 ¹ / ₈
		900	Polyolefin	4.08199.839 SS	4.08198.839 SS	Delrin, Bronze, Plain	9 ¹ / ₂	6 ¹ / ₂	5 ³ / ₄
		1000	Polyurethane HI-TECH	4.08199.929 SS	4.08198.929 SS	Delrin, Bronze	9 ¹ / ₂	6 ¹ / ₂	5 ³ / ₄
		1200	Endura Solid Elastomer	4.08199.839.EN SS	4.08198.839.EN SS	Delrin, Bronze	9 ¹ / ₂	6 ¹ / ₂	6 ³ / ₄
		1250	Maxim	4.08199.539 SS	4.08198.539 SS	Delrin, Bronze	9 ¹ / ₂	6 ¹ / ₂	6 ³ / ₄
Thermo	4.08199.339 SS		4.08198.339 SS	Delrin, Bronze	9 ¹ / ₂	6 ¹ / ₂	6 ³ / ₄		

Delrin Bearing Options: For standard two-piece bearing change ninth digit to "1" (Example: 4.06109.921SS). One piece with stainless steel thrust washer, specify WB11.

Bronze Bearing Options: To order, change the 9th digit in model number to "4" (Example: 4.06109.534)

Plain Bearing Option: To order, change the 9th digit in model number to "2" (Example: 4.06109.832)

4 SERIES