

AC-1800

● ULTRA HEAVY DUTY PURPOSE

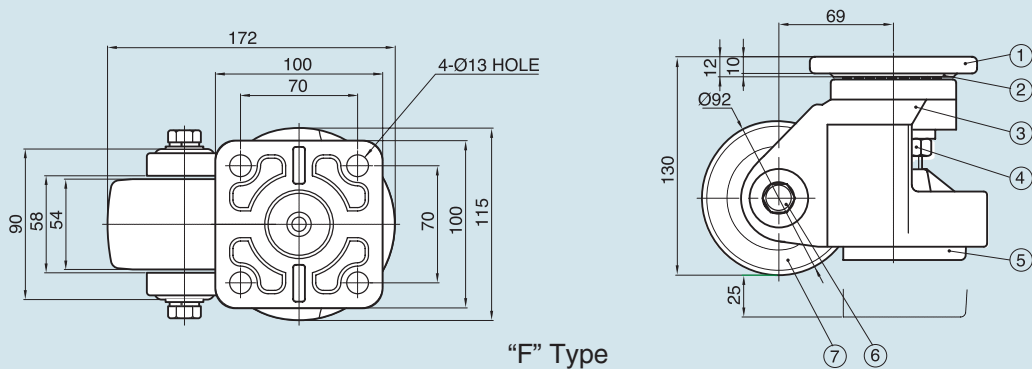
DESIGN



AC-1800F

- Maximum Load Capacity with 1 Castor - **1,984 Lbs.**
- Recommended Load Capacity with 4 Casters - **7,920 Lbs.**
- Weight - **F-Type 11.88 Lbs.**

DIMENSIONS (unit=mm)



“F” Type

*Measurement in mm (Millimeter)

MATERIALS

	Parts	Materials	Treatments
①	Top plate	SM45C	Zn Galvanized
②	Ball	STB2	Ni-Cr
③	Frame	GCD45	Powder Coated
④	Leveler (M-20)	SUS304	

	Parts	Materials	Treatments
⑤	Foot	ADC8	Black
⑥	Pin	SM45C	Zn Galvanized
⑦	Wheel	MC Nylon	Sky Blue