

# MOBILITY STABILITY QUALITY



“Carrymaster’s leveling foot can be easlily raised and lowered either by hand or wrench.”

# AC-50

● LIGHT DUTY PURPOSE

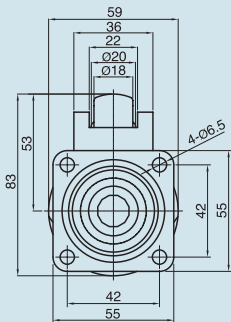


AC-50F

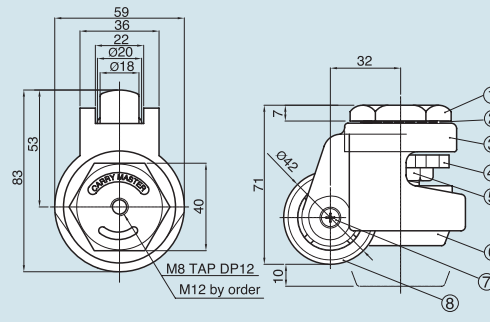
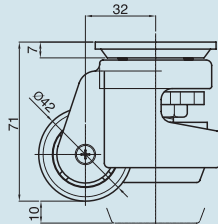


AC-50S

- Max Load Capacity with 1 Caster - **55 Lbs.**
- Recommended Load Capacity with 4 Casters - **220 Lbs.**
- Unit Weight - F Type: **0.84 Lbs. ea.**  
S Type: **0.84 Lbs. ea.**



"F" Type



"S" Type

\*Measurement in mm (Millimeter)

	Parts	Materials	Treatments
①	Top plate	SM45C	Zn Galvanized
②	Ball	STB2	Ni-Cr
③	Frame	ADC8	Powder Coated
④	Handle	NYLON-6	Red

	Parts	Materials	Treatments
⑤	Leveler(M-8)	SM45C	Zn Galvanized
⑥	Foot	*N.B.R.	Black
⑦	Pin	SM45C	Zn Galvanized
⑧	Wheel	NYLON-6	Black

\*Urethane by order

DESIGN

DIMENSIONS (unit=mm)

MATERIALS

# AC-300

● LIGHT DUTY PURPOSE

DESIGN



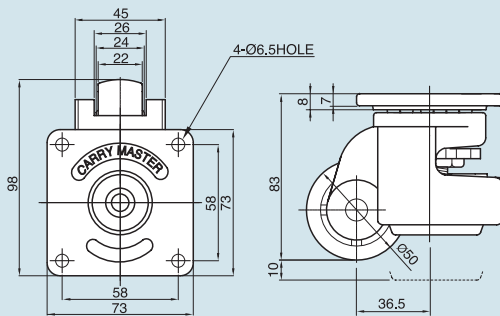
AC-300 F



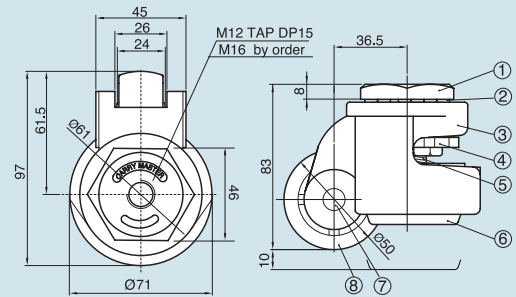
AC-300 S

- Maximum Load Capacity with 1 Caster - **330 Lbs.**
- Recommended Load Capacity with 4 Casters - **1,320 Lbs.**
- Unit Weight - F Type: **1.67 Lbs. ea.**  
S Type: **1.67 Lbs. ea.**

DIMENSIONS (unit=mm)



"F" Type



"S" Type

\*Measurement in mm (Millimeter)

MATERIALS

	Parts	Materials	Treatments
①	Top plate	SM45C	Zn Galvanized
②	Ball	STB2	Ni-Cr
③	Frame	ADC8	Powder Coated
④	Handle	NYLON-6	Red

	Parts	Materials	Treatments
⑤	Leveler(M-10)	SM45C	Zn Galvanized
⑥	Foot	*N.B.R.	Black
⑦	Pin	SM45C	Zn Galvanized
⑧	Wheel	NYLON-6	Black

\*Urethane by order