

# AC-600

● MEDIUM DUTY PURPOSE

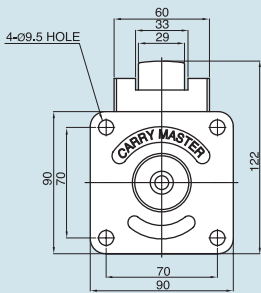


AC-600F

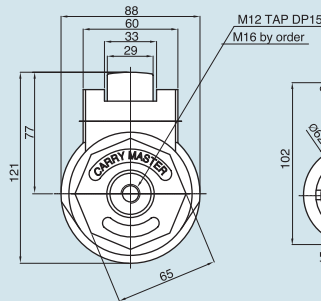
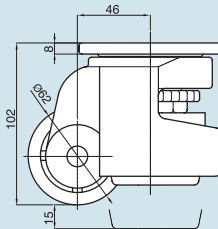


AC-600S

- Maximum Load Capacity with 1 Caster - **660 Lbs.**
- Recommended Load Capacity with 4 Casters - **2,640 Lbs.**
- Unit Weight - F Type: **3.04 Lbs. ea.**  
S Type: **2.46 Lbs. ea.**



"F" Type



"S" Type

\*Measurement in mm (Millimeter)

	Parts	Materials	Treatments
①	Top plate	SM45C	Zn Galvanized
②	Ball	STB2	Ni-Cr
③	Frame	ADC8	Powder Coated
④	Handle	NYLON-6	Red

	Parts	Materials	Treatments
⑤	Leveler(M-12)	SM45C	Zn Galvanized
⑥	Foot	*N.B.R.	Black
⑦	Pin	SM45C	Zn Galvanized
⑧	Wheel	NYLON-6	Black

\*Urethane by order

DESIGN

DIMENSIONS (unit=mm)

MATERIALS

# AC-1000

● MEDIUM DUTY PURPOSE

DESIGN

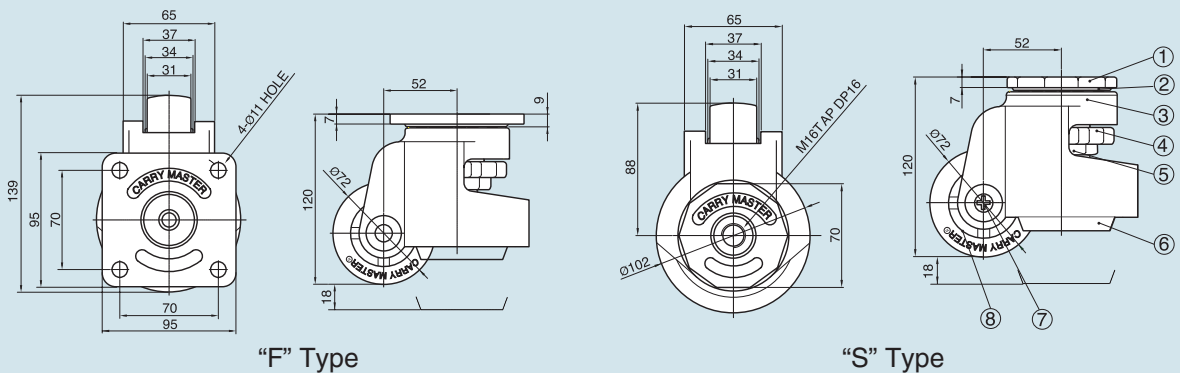


AC-1000 F

AC-1000 S

- Maximum Load Capacity with 1 Caster - **1,100 Lbs.**
- Recommended Load Capacity with 4 Casters - **4,400 Lbs.**
- Unit Weight - F Type: **4.01 Lbs. ea.**  
S Type: **3.43 Lbs. ea.**

DIMENSIONS (unit=mm)



\*Measurement in mm (Millimeter)

MATERIALS

	Parts	Materials	Treatments
①	Top plate	SM45C	Zn Galvanized
②	Ball	STB2	Ni-Cr
③	Frame	ADC8	Powder Coated
④	Handle	NYLON-6	Red

	Parts	Materials	Treatments
⑤	Leveler(M-12)	SM45C	Zn Galvanized
⑥	Foot	*N.B.R.	Black
⑦	Pin	SM45C	Zn Galvanized
⑧	Wheel	NYLON-6	Black

\*Urethane by order

# AC-1300

MEDIUM DUTY PURPOSE

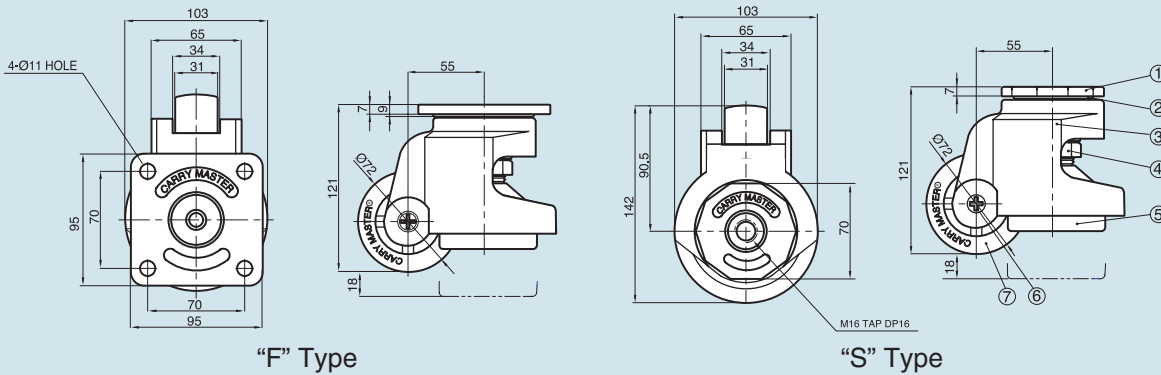


AC-1300F



AC-1300S

- Maximum Load Capacity with 1 Caster - **1,430 Lbs.**
- Recommended Load Capacity with 4 Casters - **5,720 Lbs.**
- Weight - **F-Type 4.50 Lbs.**  
**S-Type 4.00 Lbs.**



\*Measurement in mm (Millimeter)

	Parts	Materials	Treatments
①	Top plate	SM45C	Zn Galvanized
②	Ball	STB2	Ni-Cr
③	Frame	ADC8	Powder Coated
④	Leveler (M-16)	SUS304	

	Parts	Materials	Treatments
⑤	Foot	ADC8	Black
⑥	Pin	SM45C	Zn Galvanized
⑦	Wheel	NYLON-6	Black

DESIGN

DIMENSIONS (unit=mm)

MATERIALS