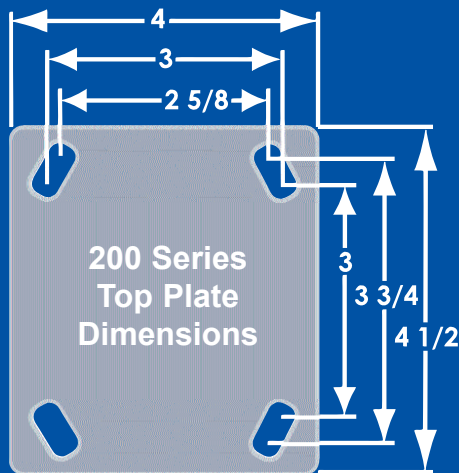


# 200 SERIES

## Medium Heavy Duty Casters

Capacity 345 - 1000 LBS.



200 Series  
Swivel Cross Section



Standard  
Combination Thrust  
Retainer Washer



Standard Metal Cage  
Roller Bearing



Standard Metal  
Spanner Bushing

### Features

- 1/4" Cold Forged Steel Construction
- Two Rows Of Ball Bearings
- Hardened Raceways
- Machine Welded Construction For Consistent Performance
- 5/8" Diameter Steel King Pin
- High Quality Corrosion-Resistant Zinc Plated Finish
- Grease Fitting In Swivel Raceway and Wheel Or Axle
- Metal Caged Roller Bearing

### Typical Uses

- Platform Trucks
- Dollies
- Heavy Appliances
- Warehouse & Factory Equipment
- Bakery & Foodservice Equipment
- Medium Duty Drag Line Trucks
- Tool Boxes
- Miscellaneous Carts

### Options

- Tread Brake
- Metal Washers
- Delrin Bearing
- Precision Bearing
- Plain Bore / No Bearing Or Spanner Bushing
- Plain Bore / No Bearing
- Sealed Top And Bottom Raceway
- Wheel Bearing Seals

# 200 SERIES

## Medium Heavy Duty Casters

Capacity 345 - 1000 LBS.

Wheel Diameter	Tread Width	Swivel Radius	Load Capacity	Wheel Material	Bearing Type	Overall Height	Part Number	
							Swivel	
4	2	3 1/2	345	Rubber / Cast iron	Roller	5 5/8	8234129-0300	€
			350	Polytec TPR	Roller		8234112-0300	€
			500	Poly O Dished	Roller		8234101-0300	€
			500	White Poly O	Roller		8234140-0300	€
			550	HD Poly O	Roller		8234141-0300	€
			650	Polytec Urethane	Roller		8234122-0300	€
			700	Phenolic	Roller		8234108-0300	€
			700	Solid Polyurethane	Roller		8234139-0300	€
800	Heat Deflector	Roller	8234318-0300	€				
5	2	4	425	Rubber / Cast iron	Roller	6 1/2	8235129-0300	€
			450	Polytec TPR	Roller		8235112-0300	€
			625	Poly O Dished	Roller		8235101-0300	€
			625	White Poly O	Roller		8235140-0300	€
			700	HD Poly O	Roller		8235141-0300	€
			700	Polytec Urethane	Roller		8235122-0300	€
			800	Phenolic	Roller		8235108-0300	€
			800	Solid Polyurethane	Roller		8235139-0300	€
1000	Heat Deflector	Roller	8235138-0300	€				
6	2	4 1/2	475	Rubber / Cast iron	Roller	7 1/2	8236129-0300	€
			500	Polytec TPR	Roller		8236112-0300	€
			750	Poly O Dished	Roller		8236101-0300	€
			750	White Poly O	Roller		8236140-0300	€
			800	HD Poly O	Roller		8236141-0300	€
			800	Polytec Urethane	Roller		8236122-0300	€
			875	Solid Polyurethane	Roller		8236139-0300	€
			900	Phenolic	Roller		8236108-0300	€
			550	Rubber / Cast iron	Roller		8238129-0300	€



Rubber / Cast Iron  
See pg. #24



Polytech TPR  
See pg. #18



Poly O Dished  
See pg. #10



White Poly O  
See pg. #9



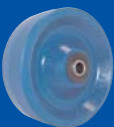
HD Poly O  
See pg. #12



Polytech Urethane  
See pg. #17



Phenolic  
See pg. #20



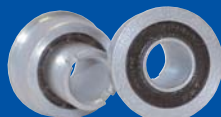
Solid Urethane  
See pg. #25



Heat Deflector  
See pg. #21



Optional  
Delrin Bearing



Optional  
Sealed Precision  
Bearing



Optional  
Metal Bearing Seal  
Washers