

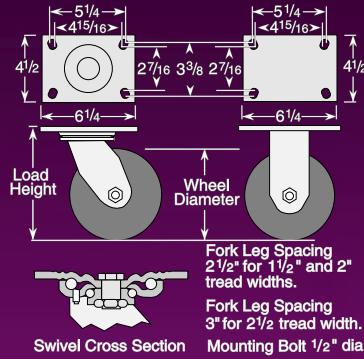
6 SERIES

Capacity up to 1500 lbs each

Standard Features

- Attractive zinc plated finish
- Full double ball hardened raceways
- 1/2" hollow axle with grease zerker and lock nut
- Plastic seal/retainer washer (roller bearing models)
- 5/16" steel top plate for durability (1/4" rigid top plate)
- Heat treated bolt and nut king pin with 3/4" diameter bolt
- Grease fittings: wheel bearing and swivel raceway
- "Colson 45" multi-temp grease lubricates in extreme hot and cold temperatures

Top Plate Swivel & Rigid



Performance Options

Caster Brake

Tread Lock (See page 12)
Available on all swivel casters with 2" tread widths except V-Groove models (Specify **BRK1**).

Fork/Wheel Options

Hand Activated Swivel Lock (See page 13)
Thread Guards (See page 14) – Available on many models (Specify **TG1** for metal **TG2** for plastic).

Axle/Nut Options: **AX2** Solid Axle (2" Tread Width)
NT1 Thick lock nut
NT2 Thin lock nut

Lube Options:

No Grease	GRF1	GRW1
Double Grease	GRF2	GRW2
300° Continuous	GRF3	GRW3
500° Continuous	Consult Factory	

Wheel Selection



PERFORMA
FLAT/GREY



PERFORMA
FLAT/BLACK



PERFORMA
ROUND/GREY



PERFORMA
CONDUCTIVE



PERFORMA
CONDUCTIVE ROUND



MOLDON RUBBER
CAST IRON OR ALUM.



POLYOLEFIN



MAXIM



ENDURA



MOLDON
NYLON



POLYURETHANE
HI-TECH



POLYURETHANE
ALUMINUM



POLYURETHANE
CAST IRON



ROUND TREAD
POLYURETHANE



PHENOLIC



THERMO



FORGED STEEL



CAST IRON



V-GROOVE

6 SERIES • Top Plate Swivel & Rigid • Capacity up to 1500 lbs

Wheel Dia	Tread Width	Capacity Each (Pounds)	Wheel Descriptions	Swivel Top Plate Roller Bearing Caster Models	Rigid Top Plate Roller Bearing Caster Models	Optional Bearings (Order information below chart)	Load Height	Swivel Radius	Weight lbs (Rigid Deduct 1.5 lbs)	
4"	1 1/2"	600	Moldon Polyurethane (Aluminum core)	6.04209.919	6.04208.919	Delrin	5 5/8	3 5/8	7	
		1400	Forged Steel	6.04209.219	6.04208.219	Delrin	5 5/8	3 5/8	8 3/4	
	2"	300	Performa Rubber (Conductive Flat)	6.04209.459 COND	6.04208.459 COND	Ball	5 5/8	3 5/8	7 1/4	
		325	Moldon Rubber (Cast iron core)	6.04209.649.7	6.04208.649.7	Delrin	5 5/8	3 5/8	9 1/4	
		350	Performa Rubber (Flat/Black)	6.04209.459.2	6.04208.459.2	Delrin, Ball, Prec. Ball	5 5/8	3 5/8	7 1/4	
			Performa Rubber (Flat/Grey)	6.04209.459	6.04208.459	Delrin, Ball, Prec. Ball	5 5/8	3 5/8	7 1/4	
		500	Polyolefin	6.04209.839	6.04208.839	Delrin, Plain	5 5/8	3 5/8	7 1/4	
		600	Polyurethane HI-TECH	6.04209.929	6.04208.929	Delrin	5 5/8	3 5/8	7 1/2	
		700	Moldon Polyurethane (Aluminum core)	6.04209.939	6.04208.939	Delrin	5 5/8	3 5/8	7 1/2	
			Moldon Polyurethane (Cast iron core)	6.04209.949.7	6.04208.949.7	Delrin	5 5/8	3 5/8	9 1/4	
		800	Maxim	6.04209.539	6.04208.539	Delrin, Bronze	5 5/8	3 5/8	6 3/8	
			Phenolic	6.04209.339	6.04208.339	Delrin	5 5/8	3 5/8	7 1/4	
	Thermo		6.04209.839 HT	6.04208.839 HT	Plain	5 5/8	3 5/8	8 1/4		
	V-Groove		6.04209.739	6.04208.739	Delrin	5 5/8	3 5/8	11		
1000	Endura Solid Elastomer	6.04209.839 EN	6.04208.839 EN	Delrin, Prec. Ball	5 5/8	3 5/8	7 1/4			
	Cast Iron	6.04209.139	6.04208.139	Delrin	5 5/8	3 5/8	9			
5"	2"	325	Performa Rubber (Conductive Flat)	6.05209.459 COND	6.05208.459 COND	Ball	6 1/2	4 5/16	9	
		375	Performa Rubber (Flat/Black)	6.05209.459.2	6.05208.459.2	Delrin, Ball, Prec. Ball	6 1/2	4 5/16	9	
		Performa Rubber (Flat/Grey)	6.05209.459	6.05208.459	Delrin, Ball, Prec. Ball	6 1/2	4 5/16	9		
		400	Moldon Rubber (Cast iron core)	6.05209.649.7	6.05208.649.7	Delrin	6 1/2	4 5/16	11 1/4	
		650	Polyolefin	6.05209.839	6.05208.839	Delrin, Plain	6 1/2	4 5/16	9	
		750	Polyurethane HI-TECH	6.05209.929	6.05208.929	Delrin	6 1/2	4 5/16	8 1/2	
		1000	Maxim	6.05209.539	6.05208.539	Delrin, Bronze	6 1/2	4 5/16	6 3/4	
			Endura Solid Elastomer	6.05209.839 EN	6.05208.839 EN	Delrin, Prec. Ball	6 1/2	4 5/16	8	
			Moldon Polyurethane (Aluminum core)	6.05209.939	6.05208.939	Delrin	6 1/2	4 5/16	8 3/4	
			Moldon Polyurethane (Cast iron core)	6.05209.949.7	6.05208.949.7	Delrin	6 1/2	4 5/16	11 1/4	
	Moldon Nylon		6.05209.939.3	6.05208.939.3	Delrin	6 1/2	4 5/16	8		
	Phenolic		6.05209.339	6.05208.339	Delrin	6 1/2	4 5/16	8		
	Thermo		6.05209.839 HT	6.05208.839 HT	Plain	6 1/2	4 5/16	9		
	Cast Iron		6.05209.139	6.05208.139	Delrin	6 1/2	4 5/16	10 3/4		
1500	Forged Steel	6.05209.239	6.05208.239	Delrin	6 1/2	4 5/16	11 1/4			
6"	2"	410	Performa Rubber (Conductive Flat)	6.06209.459 COND	6.06208.459 COND	Ball	7 1/2	4 3/4	7 3/4	
		Performa Rubber (Conductive Round)	6.06209.559 COND	6.06208.559 COND	Ball	7 1/2	4 3/4	7 3/4		
		450	Performa Rubber (Round/Grey)	6.06209.559	6.06208.559	Delrin, Ball, Prec. Ball	7 1/2	4 3/4	7 3/4	
		Moldon Rubber (Cast iron core)	6.06209.649.7	6.06208.649.7	Delrin	7 1/2	4 3/4	12 1/4		
		600	Performa Rubber (Flat/Black)	6.06209.459.2	6.06208.459.2	Delrin, Ball, Prec. Ball	7 1/2	4 3/4	7 3/4	
		Performa Rubber (Flat/Grey)	6.06209.459	6.06208.459	Delrin, Ball, Prec. Ball	7 1/2	4 3/4	7 3/4		
		700	Polyolefin	6.06209.839	6.06208.839	Delrin, Plain	7 1/2	4 3/4	8 1/2	
		900	Polyurethane HI-TECH	6.06209.929	6.06208.929	Delrin	7 1/2	4 3/4	7 3/4	
		1100	Endura Solid Elastomer	6.06209.839 EN	6.06208.839 EN	Delrin, Prec. Ball	7 1/2	4 3/4	9 1/4	
		1200	Maxim	6.06209.539	6.06208.539	Delrin, Bronze	7 1/2	4 3/4	7 1/8	
	Moldon Polyurethane (Aluminum core)		6.06209.939	6.06208.939	Delrin	7 1/2	4 3/4	9 1/4		
	Moldon Polyurethane (Cast iron core)		6.06209.949.7	6.06208.949.7	Delrin	7 1/2	4 3/4	12 1/2		
	Moldon Nylon		6.06209.939.3	6.06208.939.3	Delrin	7 1/2	4 3/4	9 1/4		
	Phenolic		6.06209.339	6.06208.339	Delrin	7 1/2	4 3/4	9 1/4		
	V-Groove		6.06209.739	6.06208.739	Delrin	7 1/2	4 3/4	12		
	1500		Cast Iron	6.06209.139	6.06208.139	Delrin	7 1/2	4 3/4	12 1/2	
	Forged Steel		6.06209.239	6.06208.239	Delrin	7 1/2	4 3/4	12 1/2		
	2 1/2"	540	Moldon Rubber (Aluminum core)	6.06259.669	6.06258.669	-	7 1/2	4 3/4	10 3/4	
Moldon Polyurethane (Aluminum core)		6.06259.969	6.06258.969	-	7 1/2	4 3/4	9 3/4			
1500		Phenolic	6.06259.369	6.06258.369	-	7 1/2	4 3/4	10 1/4		
Cast Iron		6.06259.169	6.06258.169	-	7 1/2	4 3/4	15 3/4			
8"		2"	500	Performa Rubber (Conductive Flat)	6.08299.459 COND	6.08298.459 COND	Ball	9 1/2	6 1/4	8 1/2
			Performa Rubber (Conductive Round)	6.08299.559 COND	6.08298.559 COND	Ball	9 1/2	6 1/4	8 1/2	
	600		Moldon Rubber (Cast iron core)	6.08299.649.7	6.08298.649.7	Delrin	9 1/2	6 1/4	16 1/4	
	Performa Rubber (Round/Grey)		6.08299.559	6.08298.559	Delrin, Ball, Prec. Ball	9 1/2	6 1/4	8 1/2		
	675		Performa Rubber (Flat/Black)	6.08299.459.2	6.08298.459.2	Delrin, Ball, Prec. Ball	9 1/2	6 1/4	8 1/2	
	Performa Rubber (Flat/Grey)		6.08299.459	6.08298.459	Delrin, Ball, Prec. Ball	9 1/2	6 1/4	8 1/2		
	900		Polyolefin	6.08299.839	6.08298.839	Delrin, Plain	9 1/2	6 1/4	10 1/4	
	1000		Polyurethane HI-TECH	6.08299.929	6.08298.929	Delrin	9 1/2	6 1/4	9 1/2	
	1200		Endura Solid Elastomer	6.08299.839 EN	6.08298.839 EN	Delrin, Prec. Ball	9 1/2	6 1/4	11 1/2	
	1400		Phenolic	6.08299.339	6.08298.339	Delrin	9 1/2	6 1/4	11 1/2	
		Maxim	6.08299.539	6.08298.539	Delrin, Bronze	9 1/2	6 1/4	8		
		Moldon Polyurethane (Aluminum core)	6.08299.939	6.08298.939	Delrin	9 1/2	6 1/4	11 1/4		
		Moldon Polyurethane (Cast iron core)	6.08299.949.7	6.08298.949.7	Delrin	9 1/2	6 1/4	16 1/4		
	1500	Moldon Nylon	6.08299.939.3	6.08298.939.3	Delrin	9 1/2	6 1/4	11 1/4		
Cast Iron		6.08299.139	6.08298.139	Delrin	9 1/2	6 1/4	16 1/4			
670		Moldon Rubber (Aluminum core)	6.08259.669	6.08258.669	-	9 1/2	6 1/4	13 3/4		
Moldon Polyurethane (Aluminum core)		6.08259.969	6.08258.969	-	9 1/2	6 1/4	12			
2 1/2"	1500	Phenolic	6.08259.369	6.08258.369	-	9 1/2	6 1/4	13 1/4		
	Cast Iron	6.08259.169	6.08258.169	-	9 1/2	6 1/4	18			
	10"	790	Moldon Rubber (Aluminum core)	6.10259.669	6.10258.669	-	11 1/2	7 25/32	15 3/4	
		1500	Phenolic	6.10259.369	6.10258.369	-	11 1/2	7 25/32	14 3/4	
Cast Iron		6.10259.169	6.10258.169	-	11 1/2	7 25/32	22 1/2			

6 SERIES

Roller Bearing Options: Torrington style roller bearing with retainer (Specify **WB19**). Metal cage roller bearing (Specify **WB29**).
Roller Bearing Washer Options: Metal thrust & retainer washers (Specify **WSR1**). Sintered iron step washers (Specify **WSR2**). Sealed metal retainer washer (Specify **WSR3**).
Delrin Bearing Options: For standard two-piece bearing change ninth digit to "1" (Example: 6.06209.921). One-piece with steel thrust washers (Specify **WB11**).
Ball Bearing Options: To order change 8th & 9th digit in model number to "65" (Example: 6.06209.465). **Note:** Performa 6" to 8" capacity decreases (See wheel section).
Precision Ball Bearings: To order change 8th and 9th digits to "35" (Example 6.06209.435). Performa round tread, change wheel code to "555".
Bronze Bearing Options: To order change 9th digit in Maxim model number to "4" (Example: 6.06209.534).
Plain Bearing Options: To order change 9th digit to "2" (Example: 6.06209.832).

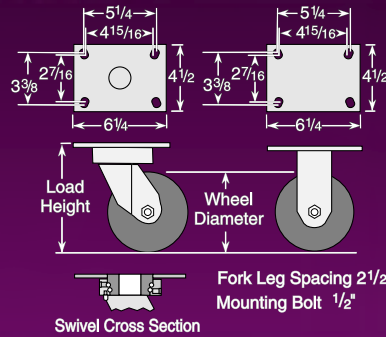
6 SERIES IMPAK®

Capacity up to 1500 lbs each

Standard Features

- Attractive zinc plated finish
- 1/4" fork leg thickness
- Full double ball hardened raceways
- 1/2" hollow axle with grease zerker and lock nut
- Plastic seal/retainer washer (roller bearing models)
- 5/16" steel top plate for durability (1/4" rigid top plate)
- Grease fittings: wheel bearing and swivel raceway
- "Colson 45" multi-temp grease lubricates in extreme hot and cold temperatures

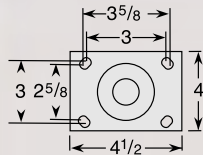
Kingpinless Top Plate Swivel & Rigid



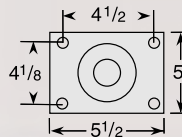
Performance Options

Optional Top Plates

1 Top Plate
(Specify **MTG1**).



4 Top Plate
(Specify **MTG4**).



Caster Brake

Tread Lock (See page 12)
Available on all swivel casters except V-Groove models (Specify **BRK1**).

Fork/Wheel Options

Hand Activated Swivel Lock (See page 13)
Thread Guards (See page 14) – Available on many models (Specify **TG1** for metal **TG2** for plastic).

Optional Load height—Optional 9 1/2" load height (6 1/4" swivel radius) available for 8" swivel & rigid casters (Specify **LH9.5**).

Axle/Nut Options: **AX2** Solid Axle
NT1 Thick lock nut
NT2 Thin lock nut

Lube Options:
No Grease
Double Grease
300° Continuous
500° Continuous

Fork	Wheel
GRF1	GRW1
GRF2	GRW2
GRF3	GRW3
Consult Factory	

Wheel Selection



PERFORMA
FLAT/GREY



PERFORMA
FLAT/BLACK



PERFORMA
ROUND/GREY



PERFORMA
CONDUCTIVE



PERFORMA
CONDUCTIVE ROUND



MOLDON RUBBER
CAST IRON OR ALUM.



POLYOLEFIN



MAXIM



ENDURA



MOLDON
NYLON



POLYURETHANE
HI-TECH



POLYURETHANE
ALUMINUM



POLYURETHANE
CAST IRON



ROUND TREAD
POLYURETHANE



PHENOLIC



THERMO



FORGED STEEL



CAST IRON



V-GROOVE

6 SERIES · IMPAK · Kingpinless Top Plate Swivel & Rigid · Capacity up to 1500 lbs

Wheel Dia	Tread Width	Capacity Each (Pounds)	Wheel Descriptions	Swivel Top Plate Roller Bearing Caster Models	Rigid Top Plate Roller Bearing Caster Models	Optional Bearings (Order information below chart)	Load Height	Swivel Radius	Weight lbs (Rigid Deduct 2 lbs)
4"	2"	300	Performa Rubber (Conductive Flat)	6.04279.459 COND	6.04208.459 COND	Ball	5 5/8	3 15/32	7 1/4
			Performa Rubber (Flat/Black)	6.04279.459.2	6.04208.459.2	Delrin, Ball, Prec. Ball	5 5/8	3 15/32	7 1/4
		350	Performa Rubber (Flat/Grey)	6.04279.459	6.04208.459	Delrin, Ball, Prec. Ball	5 5/8	3 15/32	7 1/4
			Moldon Rubber (Cast iron core)	6.04279.649.7	6.04208.649.7	Delrin	5 5/8	3 15/32	8
		500	Polyolefin	6.04279.839	6.04208.839	Delrin, Plain	5 5/8	3 15/32	7 1/4
		600	Polyurethane HI-TECH	6.04279.929	6.04208.929	Delrin	5 5/8	3 15/32	7 1/2
		700	Moldon Polyurethane (Aluminum core)	6.04279.939	6.04208.939	Delrin	5 5/8	3 15/32	7 1/2
			Moldon Polyurethane (Cast iron core)	6.04279.949.7	6.04208.949.7	Delrin	5 5/8	3 15/32	9 1/4
		800	Maxim	6.04279.539	6.04208.539	Delrin, Bronze	5 5/8	3 15/32	5 7/8
			Phenolic	6.04279.339	6.04208.339	Delrin	5 5/8	3 15/32	7 1/4
			Thermo	6.04279.839 HT	6.04208.839 HT	Plain	5 5/8	3 15/32	8 1/4
			V-Groove	6.04279.739	6.04208.739	Delrin	5 5/8	3 15/32	11
1000	Endura Solid Elastomer	6.04279.839 EN	6.04208.839 EN	Delrin, Prec. Ball	5 5/8	3 15/32	7 1/4		
	Cast Iron	6.04279.139	6.04208.139	Delrin	5 5/8	3 15/32	9		
5"	2"	325	Performa Rubber (Conductive Flat)	6.05279.459 COND	6.05208.459 COND	Ball	6 1/2	3 29/32	9
			Performa Rubber (Flat/Black)	6.05279.459.2	6.05208.459.2	Delrin, Ball, Prec. Ball	6 1/2	3 29/32	9
		375	Performa Rubber (Flat/Grey)	6.05279.459	6.05208.459	Delrin, Ball, Prec. Ball	6 1/2	3 29/32	9
			Moldon Rubber (Cast iron core)	6.05279.649.7	6.05208.649.7	Delrin	6 1/2	3 29/32	8
		650	Polyolefin	6.05279.839	6.05208.839	Delrin, Plain	6 1/2	3 29/32	9
		750	Polyurethane HI-TECH	6.05279.929	6.05208.929	Delrin	6 1/2	3 29/32	8 1/2
		1000	Maxim	6.05279.539	6.05208.539	Delrin, Bronze	6 1/2	3 29/32	6 1/4
			Endura Solid Elastomer	6.05279.839 EN	6.05208.839 EN	Delrin, Prec. Ball	6 1/2	3 29/32	8
		1000	Moldon Polyurethane (Aluminum core)	6.05279.939	6.05208.939	Delrin	6 1/2	3 29/32	8 3/4
			Moldon Polyurethane (Cast iron core)	6.05279.949.7	6.05208.949.7	Delrin	6 1/2	3 29/32	11 1/4
			Moldon Nylon	6.05279.939.3	6.05208.939.3	Delrin	6 1/2	3 29/32	8
			Phenolic	6.05279.339	6.05208.339	Delrin	6 1/2	3 29/32	8
		1000	Thermo	6.05279.839 HT	6.05208.839 HT	Plain	6 1/2	3 29/32	9
			Cast Iron	6.05279.139	6.05208.139	Delrin	6 1/2	3 29/32	10 3/4
		1500	Forged Steel	6.05279.239	6.05208.239	Delrin	6 1/2	3 29/32	11 1/4
6"	2"	410	Performa Rubber (Conductive Flat)	6.06279.459 COND	6.06208.459 COND	Ball	7 1/2	4 11/16	7 3/4
			Performa Rubber (Conductive Round)	6.06279.559 COND	6.06208.559 COND	Ball	7 1/2	4 11/16	7 3/4
		450	Performa Rubber (Round/Grey)	6.06279.559	6.06208.559	Delrin, Ball, Prec. Ball	7 1/2	4 11/16	7 3/4
			Moldon Rubber (Cast iron core)	6.06279.649.7	6.06208.649.7	Delrin	7 1/2	4 11/16	14
		600	Performa Rubber (Flat/Black)	6.06279.459.2	6.06208.459.2	Delrin, Ball, Prec. Ball	7 1/2	4 11/16	7 3/4
			Performa Rubber (Flat/Grey)	6.06279.459	6.06208.459	Delrin, Ball, Prec. Ball	7 1/2	4 11/16	7 3/4
		700	Polyolefin	6.06279.839	6.06208.839	Delrin, Plain	7 1/2	4 11/16	10
		900	Polyurethane HI-TECH	6.06279.929	6.06208.929	Delrin	7 1/2	4 11/16	9
		1100	Endura Solid Elastomer	6.06279.839 EN	6.06208.839 EN	Delrin, Prec. Ball	7 1/2	4 11/16	9 1/4
			Maxim	6.06279.539	6.06208.539	Delrin, Bronze	7 1/2	4 11/16	6 5/8
		1200	Moldon Polyurethane (Aluminum core)	6.06279.939	6.06208.939	Delrin	7 1/2	4 11/16	9 1/4
			Moldon Polyurethane (Cast iron core)	6.06279.949.7	6.06208.949.7	Delrin	7 1/2	4 11/16	12 1/2
			Moldon Nylon	6.06279.939.3	6.06208.939.3	Delrin	7 1/2	4 11/16	9 1/4
			Phenolic	6.06279.339	6.06208.339	Delrin	7 1/2	4 11/16	9 1/4
		1200	V-Groove	6.06279.739	6.06208.739	Delrin	7 1/2	4 11/16	12
Cast Iron	6.06279.139		6.06208.139	Delrin	7 1/2	4 11/16	12 1/2		
1500	Forged Steel	6.06279.239	6.06208.239	Delrin	7 1/2	4 11/16	12 1/2		
8"	2"	500	Performa Rubber (Conductive Flat)	6.08279.459 COND	6.08278.459 COND	Ball	10 1/8	6 1/2	8 1/2
			Performa Rubber (Conductive Round)	6.08279.559 COND	6.08278.559 COND	Ball	10 1/8	6 1/2	8 1/2
		600	Moldon Rubber (Cast iron core)	6.08279.649.7	6.08278.649.7	Delrin	10 1/8	6 1/2	16 1/4
			Performa Rubber (Round/Grey)	6.08279.559	6.08278.559	Delrin, Ball, Prec. Ball	10 1/8	6 1/2	8 1/2
		675	Performa Rubber (Flat/Black)	6.08279.459.2	6.08278.459.2	Delrin, Ball, Prec. Ball	10 1/8	6 1/2	8 1/2
			Performa Rubber (Flat/Grey)	6.08279.459	6.08278.459	Delrin, Ball, Prec. Ball	10 1/8	6 1/2	8 1/2
		900	Polyolefin	6.08279.839	6.08278.839	Delrin, Plain	10 1/8	6 1/2	10 1/4
		1000	Polyurethane HI-TECH	6.08279.929	6.08278.929	Delrin	10 1/8	6 1/2	9 1/2
		1200	Endura Solid Elastomer	6.08279.839 EN	6.08278.839 EN	Delrin, Prec. Ball	10 1/8	6 1/2	11 1/2
			Maxim	6.08279.539	6.08278.539	Delrin, Bronze	10 1/8	6 1/2	7 1/2
		1400	Phenolic	6.08279.339	6.08278.339	Delrin	10 1/8	6 1/2	11 1/2
			Moldon Polyurethane (Aluminum core)	6.08279.939	6.08278.939	Delrin	10 1/8	6 1/2	11 1/4
			Moldon Polyurethane (Cast iron core)	6.08279.949.7	6.08278.949.7	Delrin	10 1/8	6 1/2	16 1/4
			Moldon Nylon	6.08279.939.3	6.08278.939.3	Delrin	10 1/8	6 1/2	11 1/4
		1500	Cast Iron	6.08279.139	6.08278.139	Delrin	10 1/8	6 1/2	16 1/4

Roller Bearing Options: Torrington style roller bearing with retainer (Specify **WB19**). Metal cage roller bearing (Specify **WB29**).
Roller Bearing Washer Options: Metal thrust & retainer washers (Specify **WSR1**). Sintered iron step washers (Specify **WSR2**). Sealed metal retainer washer (Specify **WSR3**).
Delrin Bearing Options: For standard two-piece bearing change ninth digit to "1" (Example: 6.06279.921). One-piece with steel thrust washers (Specify **WB11**).
Ball Bearing Options: To order change 8th & 9th digit in model number to "65" (Example: 6.06279.465). **Note:** Performa 6" to 8" capacity decreases (See wheel section).
Precision Ball Bearings: To order change 8th and 9th digits to "35" (Example 6.06279.435). Performa round tread, change wheel code to "555".
Bronze Bearing Options: To order change 9th digit in Maxim model number to "4" (Example: 6.06279.534).
Plain Bearing Options: To order change 9th digit to "2" (Example: 6.06279.832).

6 SERIES