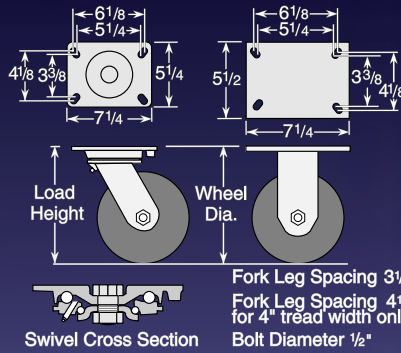


# 7 SERIES

Capacity up to 3500 lbs each

## Top Plate Swivel & Rigid



### Standard Features

- Attractive zinc plated finish
- Full double ball raceways
- 3/4" solid axle
- 5/16" SAE 1045 drop forged steel top plate, 3/8" rigid
- Heat treated 1" diameter bolt and nut kingpin construction (nut is slotted with cotter pin)
- Heat treated wheel thrust washers
- Grease fittings: wheel bearing and swivel raceway
- "Colson 45" multi-temp grease lubricates in extreme hot and cold temperatures

## Performance Options

### Fork/Wheel Options

**2-Position Hand Activated Swivel Lock**  
(See page 13)

**Lube Options:**  
No Grease  
Double Grease  
300° Continuous  
500° Continuous

**Fork**  
GRF1  
GRF2  
GRF3  
**Consult Factory**

**Wheel**  
GRW1  
GRW2  
GRW3

## Wheel Selection



PERFORMA  
FLAT/BLACK



MOLDON RUBBER  
ALUMINUM CORE



MOLDON RUBBER  
CAST IRON



PHENOLIC



POLYURETHANE  
HI-TECH



POLYURETHANE  
ALUMINUM



POLYURETHANE  
CAST IRON



CAST IRON



FORGED STEEL



V-GROOVE

## 7 SERIES • Top Plate Swivel & Rigid • Capacity up to 3500 lbs

Wheel Dia	Tread Width	Capacity Each (Pounds)	Wheel Descriptions	Swivel Top Plate Roller Bearing Caster Models	Rigid Top Plate Roller Bearing Caster Models	Optional Bearings (Order information below chart)	Load Height	Swivel Radius	Weight lbs (Rigid Deduct 5 lbs)
4"	4"	3000	Cast Iron	7.04609.199	–	Delrin	6	5	23
5"	2 1/2"	2000	Cast Iron	7.05609.169	–	Delrin	7	5	20
6"	2 1/2"	540	Moldon Rubber (Aluminum Core)	7.06609.669	7.06608.669	Delrin	8	5 <sup>3</sup> / <sub>4</sub>	20
			Moldon Rubber (Cast Iron Core)	7.06609.669.7	7.06608.669.7	Delrin	8	5 <sup>3</sup> / <sub>4</sub>	25
		1600	Phenolic	7.06609.369	7.06608.369	Delrin	8	5 <sup>3</sup> / <sub>4</sub>	14 <sup>3</sup> / <sub>4</sub>
			Moldon Polyurethane (Cast Iron Core)	7.06609.969.7	7.06608.969.7	Delrin	8	5 <sup>3</sup> / <sub>4</sub>	21
		2500	Cast Iron	7.06609.169	7.06608.169	Delrin	8	5 <sup>3</sup> / <sub>4</sub>	24
			V-Groove	7.06609.769	7.06608.769	Delrin	8	5 <sup>3</sup> / <sub>4</sub>	24
	3500	Forged Steel	7.06609.269	7.06608.269	Delrin	8	5 <sup>3</sup> / <sub>4</sub>	23	
	3"	680	Moldon Rubber (Aluminum Core)	7.06609.679	7.06608.679	Delrin	8	5 <sup>3</sup> / <sub>4</sub>	19 <sup>3</sup> / <sub>4</sub>
			Moldon Rubber (Cast Iron Core)	7.06609.679.7	7.06608.679.7	Delrin	8	5 <sup>3</sup> / <sub>4</sub>	24 <sup>3</sup> / <sub>4</sub>
		2000	Moldon Polyurethane (Aluminum Core)	7.06609.979	7.06608.979	Delrin	8	5 <sup>3</sup> / <sub>4</sub>	18 <sup>1</sup> / <sub>2</sub>
			Phenolic	7.06609.379	7.06608.379	Delrin	8	5 <sup>3</sup> / <sub>4</sub>	19 <sup>3</sup> / <sub>4</sub>
		2040	Moldon Polyurethane (Cast Iron Core)	7.06609.979.7	7.06608.979.7	Delrin	8	5 <sup>3</sup> / <sub>4</sub>	23 <sup>1</sup> / <sub>2</sub>
		3500	V-Groove	7.06609.789	7.06608.789	Delrin	8	5 <sup>3</sup> / <sub>4</sub>	36 <sup>3</sup> / <sub>4</sub>
	8"	2 1/2"	670	Moldon Rubber (Aluminum Core)	7.08609.669	7.08608.669	Delrin	10 <sup>1</sup> / <sub>2</sub>	6 <sup>3</sup> / <sub>4</sub>
Moldon Rubber (Cast Iron Core)				7.08609.669.7	7.08608.669.7	Delrin	10 <sup>1</sup> / <sub>2</sub>	6 <sup>3</sup> / <sub>4</sub>	29 <sup>3</sup> / <sub>4</sub>
1600			Cast Iron	7.08609.169	7.08608.169	Delrin	10 <sup>1</sup> / <sub>2</sub>	6 <sup>3</sup> / <sub>4</sub>	27
1620			Moldon Polyurethane (Cast Iron Core)	7.08609.969.7	7.08608.969.7	Delrin	10 <sup>1</sup> / <sub>2</sub>	6 <sup>3</sup> / <sub>4</sub>	28 <sup>3</sup> / <sub>4</sub>
2000			Phenolic	7.08609.369	7.08608.369	Delrin	10 <sup>1</sup> / <sub>2</sub>	6 <sup>3</sup> / <sub>4</sub>	21
3"		840	Moldon Rubber (Aluminum Core)	7.08609.679	7.08608.679	Delrin	10 <sup>1</sup> / <sub>2</sub>	6 <sup>3</sup> / <sub>4</sub>	26
			Moldon Rubber (Cast Iron Core)	7.08609.679.7	7.08608.679.7	Delrin	10 <sup>1</sup> / <sub>2</sub>	6 <sup>3</sup> / <sub>4</sub>	31 <sup>3</sup> / <sub>4</sub>
		2500	Phenolic	7.08609.379	7.08608.379	Delrin	10 <sup>1</sup> / <sub>2</sub>	6 <sup>3</sup> / <sub>4</sub>	19 <sup>3</sup> / <sub>4</sub>
			Moldon Polyurethane (Aluminum Core)	7.08609.979	7.08608.979	Delrin	10 <sup>1</sup> / <sub>2</sub>	6 <sup>3</sup> / <sub>4</sub>	23 <sup>1</sup> / <sub>2</sub>
			Moldon Polyurethane (Cast Iron Core)	7.08609.979.7	7.08608.979.7	Delrin	10 <sup>1</sup> / <sub>2</sub>	6 <sup>3</sup> / <sub>4</sub>	28 <sup>1</sup> / <sub>2</sub>
			Cast Iron	7.08609.179	7.08608.179	Delrin	10 <sup>1</sup> / <sub>2</sub>	6 <sup>3</sup> / <sub>4</sub>	33
			V-Groove	7.08609.779	7.08608.779	Delrin	10 <sup>1</sup> / <sub>2</sub>	6 <sup>3</sup> / <sub>4</sub>	32 <sup>3</sup> / <sub>4</sub>
		3500	Forged Steel	7.08609.279	7.08608.279	Delrin	10 <sup>1</sup> / <sub>2</sub>	6 <sup>3</sup> / <sub>4</sub>	36
		10"	2 1/2"	790	Moldon Rubber (Aluminum Core)	7.10609.669	7.10608.669	Delrin	12 <sup>1</sup> / <sub>2</sub>
Moldon Rubber (Cast Iron Core)	7.10609.669.7				7.10608.669.7	Delrin	12 <sup>1</sup> / <sub>2</sub>	7 <sup>1</sup> / <sub>2</sub>	34 <sup>3</sup> / <sub>4</sub>
1000	Performa Rubber (Flat Black)			7.10609.459.2	7.10608.459.2	Delrin	12 <sup>1</sup> / <sub>2</sub>	7 <sup>1</sup> / <sub>2</sub>	26
1200	Polyurethane HI-TECH			7.10609.959	7.10608.959	Delrin	12 <sup>1</sup> / <sub>2</sub>	7 <sup>1</sup> / <sub>2</sub>	26
1800	Cast Iron			7.10609.169	7.10608.169	Delrin	12 <sup>1</sup> / <sub>2</sub>	7 <sup>1</sup> / <sub>2</sub>	32 <sup>3</sup> / <sub>4</sub>
2300	Moldon Polyurethane (Cast Iron Core)			7.10609.969.7	7.10608.969.7	Delrin	12 <sup>1</sup> / <sub>2</sub>	7 <sup>1</sup> / <sub>2</sub>	34 <sup>3</sup> / <sub>4</sub>
3"	2500		Phenolic	7.10609.369	7.10608.369	Delrin	12 <sup>1</sup> / <sub>2</sub>	7 <sup>1</sup> / <sub>2</sub>	24 <sup>1</sup> / <sub>4</sub>
	1000		Moldon Rubber (Aluminum Core)	7.10609.679	7.10608.679	Delrin	12 <sup>1</sup> / <sub>2</sub>	7 <sup>1</sup> / <sub>2</sub>	35
			Moldon Rubber (Cast Iron Core)	7.10609.679.7	7.10608.679.7	Delrin	12 <sup>1</sup> / <sub>2</sub>	7 <sup>1</sup> / <sub>2</sub>	40
	2900		Phenolic	7.10609.379	7.10608.379	Delrin	12 <sup>1</sup> / <sub>2</sub>	7 <sup>1</sup> / <sub>2</sub>	29
			Moldon Polyurethane (Aluminum Core)	7.10609.979	7.10608.979	Delrin	12 <sup>1</sup> / <sub>2</sub>	7 <sup>1</sup> / <sub>2</sub>	25 <sup>1</sup> / <sub>2</sub>
	3000		Moldon Polyurethane (Cast Iron Core)	7.10609.979.7	7.10608.979.7	Delrin	12 <sup>1</sup> / <sub>2</sub>	7 <sup>1</sup> / <sub>2</sub>	30 <sup>1</sup> / <sub>2</sub>
			Cast Iron	7.10609.179	7.10608.179	Delrin	12 <sup>1</sup> / <sub>2</sub>	7 <sup>1</sup> / <sub>2</sub>	41
	3500		Forged Steel	7.10609.279	7.10608.279	Delrin	12 <sup>1</sup> / <sub>2</sub>	7 <sup>1</sup> / <sub>2</sub>	38
12"	2 1/2"	950	Moldon Rubber (Aluminum Core)	7.12609.669	7.12608.669	Delrin	15 <sup>1</sup> / <sub>2</sub>	9 <sup>1</sup> / <sub>4</sub>	34
			Moldon Rubber (Cast Iron Core)	7.12609.669.7	7.12608.669.7	Delrin	15 <sup>1</sup> / <sub>2</sub>	9 <sup>1</sup> / <sub>4</sub>	39
		2700	Moldon Polyurethane (Cast Iron Core)	7.12609.969.7	7.12608.969.7	Delrin	15 <sup>1</sup> / <sub>2</sub>	9 <sup>1</sup> / <sub>4</sub>	39 <sup>3</sup> / <sub>4</sub>
	3"	1140	Moldon Rubber (Aluminum Core)	7.12609.679	7.12608.679	Delrin	15 <sup>1</sup> / <sub>2</sub>	9 <sup>1</sup> / <sub>4</sub>	35
			Moldon Rubber (Cast Iron Core)	7.12609.679.7	7.12608.679.7	Delrin	15 <sup>1</sup> / <sub>2</sub>	9 <sup>1</sup> / <sub>4</sub>	40
		1700	Performa Rubber (Flat Black)	7.12609.459.2	7.12608.459.2	Delrin	15 <sup>1</sup> / <sub>2</sub>	9 <sup>1</sup> / <sub>4</sub>	29 <sup>1</sup> / <sub>2</sub>
			Polyurethane HI-TECH	7.12609.989	7.12608.989	Delrin	15 <sup>1</sup> / <sub>2</sub>	9 <sup>1</sup> / <sub>4</sub>	29 <sup>1</sup> / <sub>2</sub>
		3000	Cast Iron	7.12609.179	7.12608.179	Delrin	15 <sup>1</sup> / <sub>2</sub>	9 <sup>1</sup> / <sub>4</sub>	43 <sup>3</sup> / <sub>4</sub>
			Phenolic	7.12609.379	7.12608.379	Delrin	15 <sup>1</sup> / <sub>2</sub>	9 <sup>1</sup> / <sub>4</sub>	33 <sup>1</sup> / <sub>2</sub>
		3500	Moldon Polyurethane (Aluminum Core)	7.12609.979	7.12608.979	Delrin	15 <sup>1</sup> / <sub>2</sub>	9 <sup>1</sup> / <sub>4</sub>	30 <sup>1</sup> / <sub>4</sub>
Moldon Polyurethane (Cast Iron Core)	7.12609.979.7		7.12608.979.7	Delrin	15 <sup>1</sup> / <sub>2</sub>	9 <sup>1</sup> / <sub>4</sub>	35 <sup>1</sup> / <sub>4</sub>		

**Delrin Bearing Options:** For standard two-piece bearing change 9th digit to "1" (Example: 7.06609.661).

**Sealed Wheels:** Neoprene lip type seals vulcanized to bearing retainer washer. Available on roller bearing wheels only (Specify WSR3).

7 SERIES

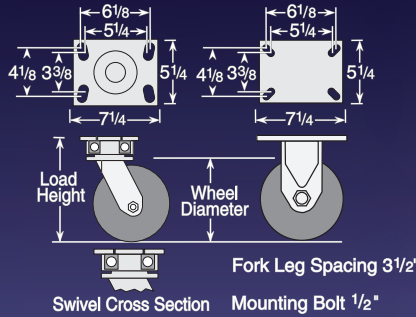
# 7 SERIES enFORCER

Capacity up to 4500 lbs each

## Standard Features

- Attractive zinc plated finish
- Single ball hardened swivel raceway construction
- 3/4" solid axle with nut
- 5/16" steel top plate
- Formed fork legs feature robotic welding inside and out for consistent quality
- Fork legs 5/16" thick x 2 1/2" wide
- Recessed zerck grease fitting on swivel raceway to prevent damage, grease fitting on wheel bearing for easy maintenance
- Multi-temp grease lubricates in extreme hot and cold temperatures

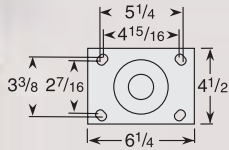
## Kingpinless Top Plate Swivel & Rigid



## Performance Options

### Optional Top Plates

# 2 Top Plate  
(Specify **MTG2**).



### Caster Brake

**Tread Lock** (See page 13)  
Available on all swivel casters except V-Groove models (Specify **BRK1**).

### Fork/Wheel Options

**Hand Activated Swivel Lock** (See page 13).

**Nut Option: NT1** Thick lock nut

**Optional Load Heights:**

Wheel Dia.	Load Ht.	Swi. Rad.	Specify
6"	8"	47/8	LH8.0
8"	10 1/2"	6 5/8	LH10.5
10"	12 1/2"	8 1/8	LH12.5
12"	15 1/2"	10 1/8	LH15.5

## Wheel Selection



PERFORMA  
FLAT/BLACK



MOLDON RUBBER  
ALUMINUM CORE



MOLDON RUBBER  
CAST IRON



PHENOLIC



POLYURETHANE  
HI-TECH



POLYURETHANE  
ALUMINUM



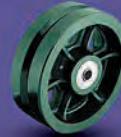
POLYURETHANE  
CAST IRON



CAST IRON



FORGED STEEL



V-GROOVE

**7 SERIES ENFORCER · Kingpinless Top Plate Swivel & Rigid · Capacity up to 4500 lbs**

Wheel Dia	Tread Width	Capacity Each (Pounds)	Wheel Descriptions	Swivel Top Plate Roller Bearing Caster Models	Rigid Top Plate Roller Bearing Caster Models	Optional Bearings (Order information below chart)	Load Height	Swivel Radius	Weight lbs (Rigid Deduct 5 lbs)		
6"	2 1/2"	540	Moldon Rubber (Aluminum Core)	7.06689.669	7.06688.669	Delrin, Roller	7 1/2	4 3/4	11		
			Moldon Rubber (Cast Iron Core)	7.06689.669.7	7.06688.669.7	Delrin, Roller	7 1/2	4 3/4	16		
		1600	Phenolic	7.06689.369	7.06688.369	Delrin, Roller	7 1/2	4 3/4	13 1/2		
		1620	Moldon Polyurethane (Cast Iron Core)	7.06689.969.7	7.06688.969.7	Delrin, Roller	7 1/2	4 3/4	18 1/4		
		2500	Cast Iron	7.06689.169	7.06688.169	Delrin, Roller	7 1/2	4 3/4	20		
		4000	V-Groove	7.06689.769	7.06688.769	Delrin, Roller	7 1/2	4 3/4	24		
			4000	Forged Steel	7.06689.269	7.06688.269	Delrin, Roller	7 1/2	4 3/4	24	
		3"	680	Moldon Rubber (Aluminum Core)	7.06689.679	7.06688.679	Delrin, Roller	7 1/2	4 3/4	12	
				Moldon Rubber (Cast Iron Core)	7.06689.679.7	7.06688.679.7	Delrin, Roller	7 1/2	4 3/4	17	
			2000	Moldon Polyurethane (Aluminum Core)	7.06689.979	7.06688.979	Delrin, Roller	7 1/2	4 3/4	14 1/4	
			Phenolic	7.06689.379	7.06688.379	Delrin, Roller	7 1/2	4 3/4	14 1/4		
	2040		Moldon Polyurethane (Cast Iron Core)	7.06689.979.7	7.06688.979.7	Delrin, Roller	7 1/2	4 3/4	19 1/4		
		4500	V-Groove	7.06689.789	7.06688.789	Delrin, Roller	7 1/2	4 3/4	21 1/4		
8"	2 1/2"	670	Moldon Rubber (Aluminum Core)	7.08689.669	7.08688.669	Delrin, Roller	10 1/8	6 9/16	14		
			Moldon Rubber (Cast Iron Core)	7.08689.669.7	7.08688.669.7	Delrin, Roller	10 1/8	6 9/16	19		
		2000	Moldon Polyurethane (Cast Iron Core)	7.08689.969.7	7.08688.969.7	Delrin, Roller	10 1/8	6 9/16	23		
			Phenolic	7.08689.369	7.08688.369	Delrin, Roller	10 1/8	6 9/16	15 1/2		
		2500	Cast Iron	7.08689.169	7.08688.169	Delrin, Roller	10 1/8	6 9/16	23 1/4		
		3"	840	Moldon Rubber (Aluminum Core)	7.08689.679	7.08688.679	Delrin, Roller	10 1/8	6 9/16	19 3/4	
				Moldon Rubber (Cast Iron Core)	7.08689.679.7	7.08688.679.7	Delrin, Roller	10 1/8	6 9/16	24 3/4	
				Phenolic	7.08689.379	7.08688.379	Delrin, Roller	10 1/8	6 9/16	16 1/2	
				Moldon Polyurethane (Aluminum Core)	7.08689.979	7.08688.979	Delrin, Roller	10 1/8	6 9/16	23 3/4	
				Moldon Polyurethane (Cast Iron Core)	7.08689.979.7	7.08688.979.7	Delrin, Roller	10 1/8	6 9/16	27 3/4	
				Cast Iron	7.08689.179	7.08688.179	Delrin, Roller	10 1/8	6 9/16	27 3/4	
				V-Groove	7.08689.779	7.08688.779	Delrin, Roller	10 1/8	6 9/16	31 1/4	
				4500	Forged Steel	7.08689.279	7.08688.279	Delrin, Roller	10 1/8	6 9/16	31 1/4
	10"		2 1/2"	790	Moldon Rubber (Aluminum Core)	7.10689.669	7.10688.669	Delrin, Roller	11 1/2	7 5/8	19 1/2
		Moldon Rubber (Cast Iron Core)		7.10689.669.7	7.10688.669.7	Delrin, Roller	11 1/2	7 5/8	24 1/2		
1000		Performa Rubber (Flat Black)		7.10689.459.2	7.10688.459.2	Delrin, Roller	11 1/2	7 5/8	18 1/4		
1200		Polyurethane HI-TECH		7.10689.959	7.10688.959	Delrin, Roller	11 1/2	7 5/8	18 1/4		
1800		Cast Iron		7.10689.169	7.10688.169	Delrin, Roller	11 1/2	7 5/8	29		
2300		Moldon Polyurethane (Cast Iron Core)		7.10689.969.7	7.10688.969.7	Delrin, Roller	11 1/2	7 5/8	31 1/4		
		3"	2500	Phenolic	7.10689.369	7.10688.369	Delrin, Roller	11 1/2	7 5/8	19 1/2	
				1000	Moldon Rubber (Aluminum Core)	7.10689.679	7.10688.679	Delrin, Roller	11 1/2	7 5/8	20 1/4
					Moldon Rubber (Cast Iron Core)	7.10689.679.7	7.10688.679.7	Delrin, Roller	11 1/2	7 5/8	25 1/4
				2900	Phenolic	7.10689.379	7.10688.379	Delrin, Roller	11 1/2	7 5/8	19 1/2
					Moldon Polyurethane (Aluminum Core)	7.10689.979	7.10688.979	Delrin, Roller	11 1/2	7 5/8	26 1/2
					Moldon Polyurethane (Cast Iron Core)	7.10689.979.7	7.10688.979.7	Delrin, Roller	11 1/2	7 5/8	31 1/2
					Cast Iron	7.10689.179	7.10688.179	Delrin, Roller	11 1/2	7 5/8	31 1/2
				4500	Forged Steel	7.10689.279	7.10688.279	Delrin, Roller	11 1/2	7 5/8	37 1/2
12"	2 1/2"	950	Moldon Rubber (Aluminum Core)	7.12689.669	7.12688.669	Delrin, Roller	13 1/2	9 1/8	22 1/4		
			Moldon Rubber (Cast Iron Core)	7.12689.669.7	7.12688.669.7	Delrin, Roller	13 1/2	9 1/8	27 1/4		
		2700	Moldon Polyurethane (Cast Iron Core)	7.12689.969.7	7.12688.969.7	Delrin, Roller	13 1/2	9 1/8	26 1/2		
		3"	1140	Moldon Rubber (Aluminum Core)	7.12689.679	7.12688.679	Delrin, Roller	13 1/2	9 1/8	23 3/4	
				Moldon Rubber (Cast Iron Core)	7.12689.679.7	7.12688.679.7	Delrin, Roller	13 1/2	9 1/8	28 3/4	
				1700	Performa Rubber (Flat Black)	7.12689.459.2	7.12688.459.2	Delrin, Roller	13 1/2	9 1/8	22 1/4
					Polyurethane HI-TECH	7.12689.989	7.12688.989	Delrin, Roller	13 1/2	9 1/8	22 1/4
				3000	Cast Iron	7.12689.179	7.12688.179	Delrin, Roller	13 1/2	9 1/8	35 3/4
					Phenolic	7.12689.379	7.12688.379	Delrin, Roller	13 1/2	9 1/8	24 3/4
				3500	Moldon Polyurethane (Aluminum Core)	7.12689.979	7.12688.979	Delrin, Roller	13 1/2	9 1/8	35
			Moldon Polyurethane (Cast Iron Core)	7.12689.979.7	7.12688.979.7	Delrin, Roller	13 1/2	9 1/8	40		

**Roller Bearing Options:** Metal cage roller bearing (Specify **WB29**).  
**Roller Bearing Washer Options:** Metal thrust & retainer washers (Specify **WSR1**). Sintered iron step washers (Specify **WSR2**). Sealed metal retainer washer (Specify **WSR3**).  
**Delrin Bearing Options:** For standard two-piece bearing change ninth digit to "1" (Example: 7.12679.981).

**7 SERIES**