

2 SERIES

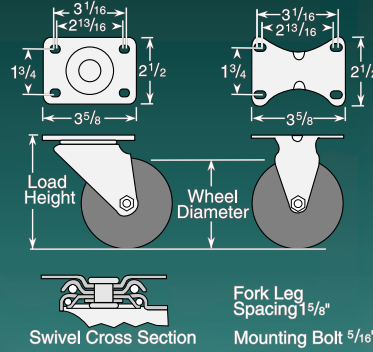
Capacity up to 325 lbs each

STAINLESS STEEL

Standard Features

- Polished 304 grade stainless steel finish handles the most punishing, corrosive conditions
- Double ball raceways for better performance and greater durability
- All component parts, including spanner bushing, axle and nut are stainless steel
- Designed to perform in the most hostile environments
- If rust is a problem...Colson stainless steel is the solution

Stainless Steel Top Plate Swivel & Rigid



Performance Options

Caster Brake

Tech Lock (See page 11)
Available on all swivel models. Field installable (Specify **BRK2**).

Fork Option

NSF Listed (See page 1)
All models except thread guards and cast iron wheels (Specify **FSI**).



Wheel Option

Thread Guards (See page 14)
Available on many models (Specify **TG2** for plastic).

Wheel Selection



PERFORMA FLAT TREAD

PERFORMA ROUND TREAD

POLYOLEFIN

THERMOTECH

THERMO

POLYURETHANE HI-TECH

2 SERIES · Stainless Steel Top Plate Swivel & Rigid · Capacity up to 325 lbs

Wheel Dia.	Tread Width	Capacity Each (Pounds)	Wheel Descriptions	Wheel Bearing	Swivel Top Plate Caster Models	Rigid Top Plate Caster Models	Load Height	Swivel Radius	Weight (Pounds)
4"	1 1/4"	250	ThermoTech®	Teflon	2.04456.613H	2.04408.613H	5 1/8	35/16	3
		275	Polyolefin	Delrin	2.04456.544	2.04408.544	5 1/8	35/16	2 1/8
		275	Polyurethane HI-TECH	Delrin	2.04456.944	2.04408.944	5 1/8	35/16	2 1/8
		300	Performa Rubber (Flat Tread)	Delrin	2.04456.444	2.04408.444	5 1/8	35/16	2 1/4
		700	Thermo	Plain	2.04456.52HT	2.04408.52HT	5 1/8	35/16	2 1/4
5"	1 1/4"	250	ThermoTech®	Teflon	2.05456.613H	2.05408.613H	6 3/16	4 1/16	3
		300	Polyolefin	Delrin	2.05456.544	2.05408.544	6 3/16	4 1/16	2 5/8
		300	Polyurethane HI-TECH	Delrin	2.05456.944	2.05408.944	6 3/16	4 1/16	2 5/8
		325	Performa Rubber (Flat Tread)	Delrin	2.05456.444	2.05408.444	6 3/16	4 1/16	2 3/4
		325	Thermo	Plain	2.05456.52HT	2.05408.52HT	6 3/16	4 1/16	2 3/4
	1 5/16"	250	Performa Rubber (Round Grey Tread)	Delrin	2.05456.565	2.05408.565	6 3/16	4 1/16	2 3/4