

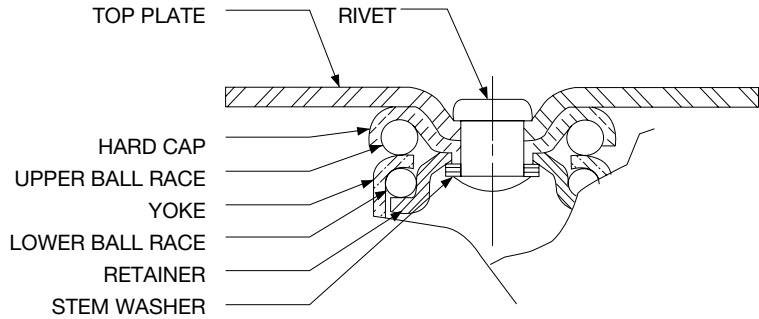
60 SERIES

CAPACITY: 150 — 400 LBS PER CASTER



16-65-XD

FEATURES



16-65R-XD

- 3/8" Axle
- 1/2" Rivet
- Double row ball bearing swivel. Both raceways equal diameter
- Bright zinc finish
- All swivel parts case hardened to Rockwell 62C
- Thread guards standard on wheels

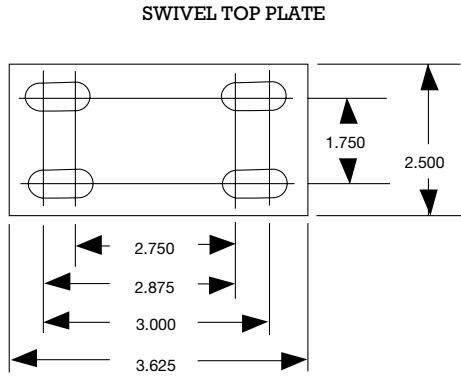
OPTIONS

- Brakes available, 3", 3.5", 4", and 5" models. Add letter "B".
- Four position swivel locks. Add letter "F". Not available on stem casters.
- Brakes and swivel locks cannot be combined on the same caster.
- Swivel seals with zerk in swivel and axle. Add letter "S".
- Zerk in axle only. Add letter "G".

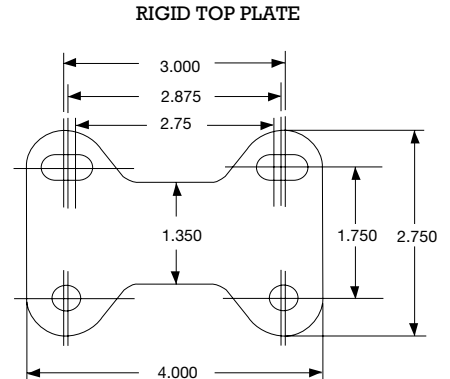
INSTALLATIONS



16-65B-XSR

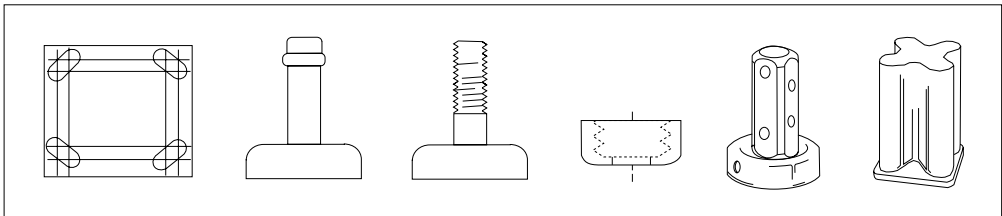


HOLES FOR 0.3125 BOLTS



HOLES FOR 0.3125 BOLTS

NO. 16 TOP PLATE (STANDARD ON 60 SERIES)



OPTIONAL TOP PLATES AND STEMS ARE AVAILABLE. SEE PAGES 14, 15, 16.

60 SERIES

CAPACITY: 150 – 400 LBS PER CASTER

WHEEL DIAMETER	TREAD WIDTH	LOAD CAP./LBS	BEARING TYPE	SWIVEL MODEL	RIGID MODEL	SWIVEL RADIUS	OVERALL HEIGHT
NEOPRENE - NON MARKING AND NON STAINING - USED ON ANY FLOOR SURFACE - ERGO*							
3"	1-3/8"	200	BALL	16-63-XD	16-63R-XD	2-3/4"	4-5/16"
3-1/2"	1-3/8"	200	BALL	16-63.5-XD	16-63.5R-XD	3"	4-3/4"
4"	1-3/8"	225	BALL	16-64-XD	16-64R-XD	3-1/4"	5-5/16"
5"	1-3/8"	250	BALL	16-65-XD	16-65R-XD	4"	6-5/16"
NEOPRENE - SUPER ROLL SOFT LOW PROFILE TREAD FOR EXTREMELY EASY ROLLING AND SWIVELING - ERGO*							
2-1/2"	1-3/8"	200	BALL	16-62.5-XSR	16-62.5R-XSR	2-1/2"	3-13/16"
3-1/2"	1-3/8"	225	BALL	16-63.5-XSR	16-63.5R-XSR	3"	4-3/4"
4"	1-3/8"	275	BALL	16-64-XSR	16-64R-XSR	3-1/4"	5-5/16"
5"	1-3/8"	325	BALL	16-65-XSR	16-65R-XSR	4"	6-5/16"
SOLID ELASTOMER-VERY LOW STARTING AND ROLLING RESISTANCE - ERGO*							
2-1/2"	1-1/4"	300	BALL	16-62.5-XSE	16-62.5R-XSE	2-1/2"	3-13/16"
3-1/2"	1-1/4"	350	BALL	16-63.5-XSE	16-63.5R-XSE	3"	4-3/4"
SEMI-STEEL - CROWNED SEMI-STEEL CASTING							
2-1/2"	1-1/4"	400	SLEEVE	16-62.5-CI	16-62.5R-CI	2-1/2"	3-13/16"
3"	1-3/8"	400	SLEEVE	16-63-CI	16-63R-CI	2-3/4"	4-5/16"
3-1/2"	1-1/4"	400	SLEEVE	16-63.5-CI	16-63.5R-CI	3"	4-3/4"
4"	1-3/8"	400	SLEEVE	16-64-CI	16-64R-CI	3-1/4"	5-5/16"
5"	1-3/8"	400	SLEEVE	16-65-CI	16-65R-CI	4"	6-5/16"
V-GROOVED - ECONOMICAL HANDLING OF HEAVY LOADS ON ANGLE TRACK							
3"	1-1/4"	300	SLEEVE	16-63-CV	16-63R-CV	2-3/4"	4-5/16"
RUBBER - SEMI-RESILIENT RUBBER MATERIAL							
3-1/2"	1-3/8"	150	SLEEVE	16-63.5-K	16-63.5R-K	3"	4-3/4"
4"	1-3/8"	175	SLEEVE	16-64-K	16-64R-K	3-1/4"	5-5/16"
5"	1-3/8"	175	SLEEVE	16-65-K	16-65R-K	4"	6-5/16"
HARD RUBBER - HARD SYNTHETIC RUBBER MATERIAL NOT AFFECTED BY OIL OR GREASE							
3"	1-3/8"	350	SLEEVE	16-63-H	16-63R-H	2-3/4"	4-5/16"
3-1/2"	1-3/8"	375	SLEEVE	16-63.5-H	16-63.5R-H	3"	4-3/4"
4"	1-3/8"	400	SLEEVE	16-64-H	16-64R-H	3-1/4"	5-5/16"
5"	1-3/8"	400	SLEEVE	16-65-H	16-65R-H	4"	6-5/16"

* Ergonomically designed for easy rolling.

SLEEVE - M - BEARINGS AVAILABLE FOR WET APPLICATIONS.