

15 & 16 SERIES

Top Plate Casters

- Corrosion-resistant zinc finish
- Light-to-medium duty institutional or industrial
- 2 rows of ball bearings encased in hardened, lubricated raceways
- Strong king pin
- Side brakes available
- Easy to use toe brakes available



Diameter	Tread Width	Wheel Type	Bearing Type	Capacity	Load Height	Swivel Radius	Caster Number		Shipping Weight (Lbs.)
							Swivel	Rigid	
2½"	1⅜"	Polyolefin	Ball	300	3⅝"	2¾"	25-15-13	25-16-13	1½
	1⅜"	Polyolefin	Delrin	300			25-15-14	25-16-14	
	1⅜"	Polyolefin	Plain	300			255-15-11	255-16-11	
	1⅜"	Mold-On Poly	Ball	300			25-15-23	25-16-23	
	1⅜"	Mold-On Poly	Delrin	300			25-15-24	25-16-24	
	1¼"	Hard Rubber	Plain	210			25-15-61	25-16-61	
	1¼"	Soft Rubber	Plain	140			25-15-71	25-16-71	
	1⅜"	Retort	Plain	300			25-15-121	25-16-121	
	1⅜"	Softie	Ball	125			25-15-153	25-16-153	
	1⅜"	Softie	Delrin	125			25-15-154	25-16-154	
	1⅜"	Heateater	Plain	300			25-15-171	25-16-171	
	1⅜"	Heateater	Roller	300			25-15-172	25-16-172	
	1⅜"	TPR 82A	Ball	300			25-15-193	25-16-193	
	1⅜"	TPR 82A	Delrin	300			25-15-194	25-16-194	
	1⅜"	TPR 60A	Ball	175			25-15-223	25-16-223	
	1⅜"	TPR 60A	Delrin	175			25-15-224	25-16-224	
	3"	1⅜"	Polyolefin	Ball			300	4⅛"	
1⅜"		Polyolefin	Delrin	300	03-15-14	03-16-14			
1⅜"		Mold-On Poly	Ball	300	03-15-23	03-16-23			
1⅜"		Mold-On Poly	Delrin	300	03-15-24	03-16-24			
1¼"		Hard Rubber	Plain	220	03-15-61	03-16-61			
1¼"		Soft Rubber	Plain	150	03-15-71	03-16-71			
1⅜"		Retort	Plain	300	03-15-121	03-16-121			
1⅜"		Softie	Ball	150	03-15-153	03-16-153			
1⅜"		Softie	Delrin	150	03-15-154	03-16-154			
1⅜"		Heateater	Plain	300	03-15-171	03-16-171			
1⅜"		Heateater	Roller	300	03-15-172	03-16-172			
1⅜"		TPR 82A	Ball	300	03-15-193	03-16-193			
1⅜"		TPR 82A	Delrin	300	03-15-194	03-16-194			
1⅜"		TPR 60A	Ball	200	03-15-223	03-16-223			
1⅜"		TPR 60A	Delrin	200	03-15-224	03-16-224			

(CONTINUED)

15 & 16 SERIES

Top Plate Casters (CONTINUED)

Diameter	Tread Width	Wheel Type	Bearing Type	Capacity	Load Height	Swivel Radius	Caster Number		Shipping Weight (Lbs.)				
							Swivel	Rigid					
3 1/2"	1 3/8"	Polyolefin	Ball	300	4 5/8"	3 1/4"	35-15-13	35-16-13	2				
	1 3/8"	Polyolefin	Delrin	300			35-15-14	35-16-14					
	1 3/8"	Mold-On Poly	Ball	300			35-15-23	35-16-23					
	1 3/8"	Mold-On Poly	Delrin	300			35-15-24	35-16-24					
	1 1/4"	Hard Rubber	Plain	230			35-15-61	35-16-61					
	1 1/4"	Soft Rubber	Plain	160			35-15-71	35-16-71					
	1 3/8"	Retort	Plain	300			35-15-121	35-16-121					
	1 3/8"	Softie	Ball	160			35-15-153	35-16-153					
	1 3/8"						35-15-154	35-16-154					
	1 3/8"	Heateater	Plain	300			35-15-171	35-16-171					
	1 3/8"	Heateater	Roller	300			35-15-172	35-16-172					
	1 3/8"	TPR 82A	Ball	300			35-15-193	35-16-193					
	1 3/8"	TPR 82A	Delrin	300			35-15-194	35-16-194					
	1 3/8"	TPR 60A	Ball	225			35-15-223	35-16-223					
	1 3/8"	TPR 60A	Delrin	225			35-15-224	35-16-224					
	4"	1 3/8"	Polyolefin	Ball			300	5 1/8"		3 1/2"	04-15-13	04-16-13	2
		1 3/8"	Polyolefin	Delrin			300				04-15-14	04-16-14	
1 3/8"		Mold-On Poly	Ball	300	04-15-23	04-16-23							
1 3/8"		Mold-On Poly	Delrin	300	04-15-24	04-16-24							
1 1/4"		Hard Rubber	Plain	250	04-15-61	04-16-61							
1 1/4"		Soft Rubber	Plain	170	04-15-71	04-16-71							
1 3/8"		Retort	Plain	300	04-15-121	04-16-121							
1 3/8"		Softie	Ball	170	04-15-153	04-16-153							
1 3/8"		Softie	Delrin	170	04-15-154	04-16-154							
1 3/8"		Heateater	Plain	300	04-15-171	04-16-171							
1 3/8"		Heateater	Roller	300	04-15-172	04-16-172							
1 3/8"		TPR 82A	Ball	300	04-15-193	04-16-193							
1 3/8"		TPR 82A	Delrin	300	04-15-194	04-16-194							
1 3/8"		TPR 60A	Ball	300	04-15-223	04-16-223							
1 3/8"		TPR 60A	Delrin	300	04-15-224	04-16-224							
1 1/2"		Polyolefin	Roller	300	45-15-12	45-16-12							
1 1/2"		Polyolefin	Ball	300	45-15-13	45-16-13							
1 1/2"		Polyolefin	Delrin	300	45-15-14	45-16-14							
1 1/2"		Mold-On Poly	Roller	300	45-15-22	45-16-22							
1 1/2"		Retort	Plain	300	45-15-121	45-16-121							
1 1/2"		Retort	Roller	300	45-15-122	45-16-122							
1 1/2"		Softie	Roller	200	45-15-152	45-16-152							
1 3/8"		Heateater	Plain	300	451-15-171	451-16-171							
1 1/2"		TPR 82A	Roller	300	45-15-192	45-16-192							
1 1/2"		TPR 60A	Roller	300	45-15-222	45-16-222							
1 1/2"		Round Tread Mold-On Poly	Roller	300	45-15-232	45-16-232							
1 1/2"		Round Tread TPR 82A	Roller	300	45-15-242	45-16-242							
1 1/2"		Round Tread TPR 60A	Roller	300	45-15-252	45-16-252							
1 1/2"		Round Tread Softie	Roller	175	45-15-262	45-16-262							

(CONTINUED)

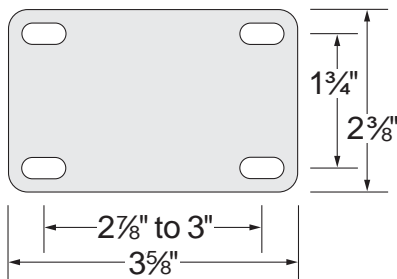
15 & 16 SERIES

Top Plate Casters (CONTINUED)

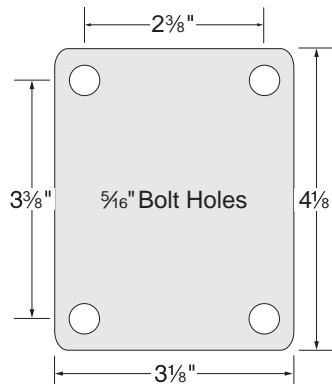
Diameter	Tread Width	Wheel Type	Bearing Type	Capacity	Load Height	Swivel Radius	Caster Number		Shipping Weight (Lbs.)
							Swivel	Rigid	
5"	1 3/8"	Polyolefin	Ball	300	6 1/4"	4"	05-15-13	05-16-13	2
	1 3/8"	Polyolefin	Delrin	300			05-15-14	05-16-14	
	1 3/8"	Mold-On Poly	Ball	300			05-15-23	05-16-23	
	1 3/8"	Mold-On Poly	Delrin	300			05-15-24	05-16-24	
	1 1/4"	Hard Rubber	Plain	280			05-15-61	05-16-61	
	1 1/4"	Soft Rubber	Plain	200			05-15-71	05-16-71	
	1 3/8"	Retort	Plain	300			05-15-121	05-16-121	
	1 3/8"	Softie	Ball	180			05-15-153	05-16-153	
	1 3/8"	Softie	Delrin	180			05-15-154	05-16-154	
	1 3/8"	Heateater	Plain	300			05-15-171	05-16-171	
	1 3/8"	Heateater	Roller	300			05-15-172	05-16-172	
	1 3/8"	TPR 82A	Ball	300			05-15-193	05-16-193	
	1 3/8"	TPR 82A	Delrin	300			05-15-194	05-16-194	
	1 1/4"	Mold-On Poly	Ball	300			05-15-203	05-16-203	
	1 1/4"	Mold-On Poly	Delrin	300			05-15-204	05-16-204	
	1 1/4"	TPR 82A	Ball	300			05-15-213	05-16-213	
	1 1/4"	TPR 82A	Delrin	300			05-15-214	05-16-214	
	1 3/8"	TPR 60A	Ball	300			05-15-223	05-16-223	
	1 3/8"	TPR 60A	Delrin	300			05-15-224	05-16-224	
	1 1/4"	TPR 60A	Ball	300			05-15-283	05-16-283	
	1 1/4"	TPR 60A	Delrin	300			05-15-284	05-16-284	
	1 1/4"	Softie	Ball	180			05-15-293	05-16-293	
	1 1/4"	Softie	Delrin	180			05-15-294	05-16-294	
	1 1/2"	Polyolefin	Roller	300			55-15-12	55-16-12	
	1 1/2"	Polyolefin	Ball	300			55-15-13	55-16-13	
	1 1/2"	Polyolefin	Delrin	300			55-15-14	55-16-14	
	1 1/2"	Mold-On-Poly	Roller	325			55-15-22	55-16-22	
	1 1/2"	Retort	Plain	325			55-15-121	55-16-121	
	1 1/2"	Retort	Roller	325			55-15-122	55-16-122	
	1 1/2"	Softie	Roller	225			55-15-152	55-16-152	
	1 1/2"	TPR 82A	Roller	325			55-15-192	55-16-192	
	1 1/2"	TPR 60A	Roller	325			55-15-222	55-16-222	
1 1/2"	Round Tread Mold-On Poly	Roller	325	55-15-232	55-16-232				
1 1/2"	Round Tread TPR 82A	Roller	325	55-15-242	55-16-242				
1 1/2"	Round Tread TPR 60A	Roller	325	55-15-252	55-16-252				
1 1/2"	Round Tread Softie	Roller	200	55-15-262	55-16-262				

(CONTINUED)

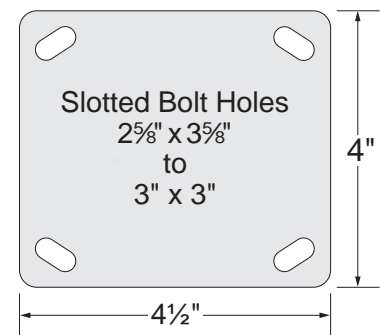
#2 TOP PLATE (STANDARD)



#3 (3 1/8" X 4 1/8")



#5 (4" X 4 1/2")



15 SERIES

Top Plate Casters (CONTINUED)

Diameter	Tread Width	Wheel Type	Bearing Type	Capacity	Load Height	Swivel Radius	Caster Number		Shipping Weight (Lbs.)
							Swivel	Rigid	
6"	1 $\frac{3}{8}$ "	Polyolefin	Ball	300	7 $\frac{1}{4}$ "	4 $\frac{1}{2}$ "	06-15-13	06-16-13	3
	1 $\frac{3}{8}$ "	Polyolefin	Delrin	300			06-15-14	06-16-14	
	1 $\frac{3}{8}$ "	Mold-On Poly	Ball	300			06-15-23	06-16-23	
	1 $\frac{3}{8}$ "	Mold-On Poly	Delrin	300			06-15-24	06-16-24	
	1 $\frac{1}{4}$ "	Hard Rubber	Plain	300			06-15-61	06-16-61	
	1 $\frac{1}{4}$ "	Soft Rubber	Plain	220			06-15-71	06-16-71	
	1 $\frac{3}{8}$ "	Retort	Plain	300			06-15-121	06-16-121	
	1 $\frac{3}{8}$ "	Softie	Ball	190			06-15-153	06-16-153	
	1 $\frac{3}{8}$ "	Softie	Delrin	190			06-15-154	06-16-154	
	1 $\frac{3}{8}$ "	Heateater	Plain	300			06-15-171	06-16-171	
	1 $\frac{3}{8}$ "	Heateater	Roller	300			06-15-172	06-16-172	
	1 $\frac{3}{8}$ "	TPR 82A	Ball	300			06-15-193	06-16-193	
	1 $\frac{3}{8}$ "	TPR 82A	Delrin	300			06-15-194	06-16-194	
	1 $\frac{3}{8}$ "	TPR 60A	Ball	300			06-15-223	06-16-223	
	1 $\frac{3}{8}$ "	TPR 60A	Delrin	300			06-15-224	06-16-224	
	1 $\frac{1}{2}$ "	Polyolefin	Plain	300			65-15-11	65-16-11	
	1 $\frac{1}{2}$ "	Polyolefin	Roller	325			65-15-12	65-16-12	
	1 $\frac{1}{2}$ "	Mold-On Poly	Roller	325			65-15-22	65-16-22	
	1 $\frac{1}{2}$ "	Retort	Plain	325			65-15-121	65-16-121	
	1 $\frac{1}{2}$ "	Retort	Roller	325			65-15-122	65-16-122	
	1 $\frac{1}{2}$ "	Softie	Roller	250			65-15-152	65-16-152	
	1 $\frac{1}{2}$ "	TPR 82A	Roller	325			65-15-192	65-16-192	
	1 $\frac{1}{2}$ "	TPR 60A	Roller	325			65-15-222	65-16-222	
	1 $\frac{1}{2}$ "	Round Tread Mold-On Poly	Roller	325			65-15-232	65-16-232	
	1 $\frac{1}{2}$ "	Round Tread TPR 82A	Roller	325			65-15-242	65-16-242	
	1 $\frac{1}{2}$ "	Round Tread TPR 60A	Roller	325			65-15-252	65-16-252	
	1 $\frac{1}{2}$ "	Round Tread Softie	Roller	225			65-15-262	65-16-262	

15 SERIES

Stem Casters Threaded, Grip Ring

- Corrosion resistant zinc finish
- Light-to-medium duty institutional or industrial use
- Corrosion-resistant zinc finish
- Full-drawn steel horn swivel
- 2 rows of ball bearings encased in hardened, lubricated raceways
- Side brakes available
- Easy to use toe brakes available



Diameter	Tread Width	Wheel Type	Bearing Type	Capacity	Load Height	Swivel Radius	Caster Ordering Numbers		Shipping Weight (Lbs.)
							Threaded		
2 1/2"	1 1/8"	Polyolefin	Plain	300	3 7/16"	2 3/4"	255-T15-11		1 1/2
	1 3/8"	Polyolefin	Ball	300			25-T15-13		
	1 3/8"	Polyolefin	Delrin	300			25-T15-14		
	1 3/8"	Mold-On Poly	Ball	300			25-T15-23		
	1 3/8"	Mold-On Poly	Delrin	300			25-T15-24		
	1 1/4"	Hard Rubber	Plain	210			25-T15-61		
	1 1/4"	Soft Rubber	Plain	140			25-T15-71		
	1 3/8"	Retort	Plain	300			25-T15-121		
	1 3/8"	Softie	Ball	125			25-T15-153		
	1 3/8"	Softie	Delrin	125			25-T15-154		
	1 3/8"	Heateater	Plain	300			25-T15-171		
	1 3/8"	Heateater	Roller	300			25-T15-172		
	1 3/8"	TPR 82A	Ball	300			25-T15-193		
	1 3/8"	TPR 82A	Delrin	300			25-T15-194		
	1 3/8"	TPR 60A	Ball	175			25-T15-223		
	1 3/8"	TPR 60A	Delrin	175			25-T15-224		
3"	1 3/8"	Polyolefin	Ball	300	3 15/16"	3"	03-T15-13		1 1/2
	1 3/8"	Polyolefin	Delrin	300			03-T15-14		
	1 3/8"	Mold-On Poly	Ball	300			03-T15-23		
	1 3/8"	Mold-On Poly	Delrin	300			03-T15-24		
	1 1/4"	Hard Rubber	Plain	210			03-T15-61		
	1 1/4"	Soft Rubber	Plain	140			03-T15-71		
	1 3/8"	Retort	Plain	300			03-T15-121		
	1 3/8"	Softie	Ball	150			03-T15-153		
	1 3/8"	Softie	Delrin	150			03-T15-154		
	1 3/8"	Heateater	Plain	300			03-T15-171		
	1 3/8"	Heateater	Roller	300			03-T15-172		
	1 3/8"	TPR 82A	Ball	300			03-T15-193		
	1 3/8"	TPR 82A	Delrin	300			03-T15-194		
	1 3/8"	TPR 60A	Ball	200			03-T15-223		
	1 3/8"	TPR 60A	Delrin	200			03-T15-224		

(CONTINUED)

15 SERIES

Stem Casters

Threaded and Grip Ring (CONTINUED)

15 Series Threaded Stems

½-13 x 1½
 ½-13 x 1
 ½-13 x 2¾
 ⅝-11 x 1¾
 ¾-10 x 1¾

15 Series Grip Ring Stems

5" Only
 .845 Dia. x 2¾"
 .865 Dia. x 2¾"
 .860 Square x 2¾"
 Round Column

Diameter	Tread Width	Wheel Type	Bearing Type	Capacity	Load Height	Swivel Radius	Caster Ordering Numbers		Shipping Weight (Lbs.)
							Threaded		
3½"	1⅜"	Polyolefin	Ball	300	47/16"	3¼"	35-T15-13	2	
	1⅜"	Polyolefin	Delrin	300			35-T15-14		
	1⅜"	Mold-On Poly	Ball	300			35-T15-23		
	1⅜"	Mold-On Poly	Delrin	300			35-T15-24		
	1¼"	Hard Rubber	Plain	225			35-T15-61		
	1¼"	Soft Rubber	Plain	150			35-T15-71		
	1⅜"	Retort	Plain	300			35-T15-121		
	1⅜"	Softie	Ball	160			35-T15-153		
	1⅜"	Softie	Delrin	160			35-T15-154		
	1⅜"	Heateater	Plain	300			35-T15-171		
	1⅜"	Heateater	Roller	300			35-T15-172		
	1⅜"	TPR 82A	Ball	300			35-T15-193		
	1⅜"	TPR 82A	Delrin	300			35-T15-194		
	1⅜"	TPR 60A	Ball	225			35-T15-223		
	1⅜"	TPR 60A	Delrin	225			35-T15-224		
	4"	1⅜"	Polyolefin	Ball			300		4 ¹⁵ / ₁₆ "
1⅜"		Polyolefin	Delrin	300	04-T15-14				
1⅜"		Mold-On Poly	Ball	300	04-T15-23				
1⅜"		Mold-On Poly	Delrin	300	04-T15-24				
1¼"		Hard Rubber	Plain	240	04-T15-61				
1¼"		Soft Rubber	Plain	165	04-T15-71				
1⅜"		Retort	Plain	300	04-T15-121				
1⅜"		Softie	Ball	170	04-T15-153				
1⅜"		Softie	Delrin	170	04-T15-154				
1⅜"		Heateater	Plain	300	04-T15-171				
1⅜"		Heateater	Roller	300	04-T15-172				
1⅜"		TPR 82A	Ball	300	04-T15-193				
1⅜"		TPR 82A	Delrin	300	04-T15-194				
1⅜"		TPR 60A	Ball	300	04-T15-223				
1⅜"		TPR 60A	Delrin	300	04-T15-224				
1½"		Polyolefin	Roller	300	45-T15-12				
1⅜"		Polyolefin	Ball	300	45-T15-13				
1⅜"		Polyolefin	Delfin	300	45-T15-14				
1½"		Mold-On Poly	Roller	300	45-T15-22				
1½"		Retort	Plain	300	45-T15-121				
1½"		Retort	Roller	300	45-T15-122				
1½"		Softie	Roller	200	45-T15-152				
1½"		TPR 82A	Roller	300	45-T15-192				
1½"		TPR 60A	Roller	300	45-T15-222				
1½"		Round Tread Mold-On Poly	Roller	300	45-T15-232				
1½"		Round Tread TPR 82A	Roller	300	45-T15-242				
1½"		Round Tread TPR 60A	Roller	300	45-T15-252				
1½"		Round Tread Softie	Roller	175	45-T15-262				
1⅜"	Heateater	Plain	300	451-T15-171					

(CONTINUED)

15 SERIES

Stem Casters

Threaded and Grip Ring (CONTINUED)

Diameter	Tread Width	Wheel Type	Bearing Type	Capacity	Load Height	Swivel Radius	Caster Ordering Numbers		Shipping Weight (Lbs.)
							Threaded	Grip Ring	
5"	1 3/8"	Polyolefin	Ball	300	6 1/16"	4"	05-T15-13	05-R15-13	2
	1 3/8"	Polyolefin	Delrin	300			05-T15-14	05-R15-14	
	1 3/8"	Mold-On Poly	Ball	300			05-T15-23	05-R15-23	
	1 3/8"	Mold-On Poly	Delrin	300			05-T15-24	05-R15-24	
	1 1/4"	Hard Rubber	Plain	280			05-T15-61	05-R15-61	
	1 1/4"	Soft Rubber	Plain	200			05-T15-71	05-R15-71	
	1 3/8"	Retort	Plain	300			05-T15-121	05-R15-121	
	1 3/8"	Softie	Ball	180			05-T15-153	05-R15-153	
	1 3/8"	Softie	Delrin	180			05-T15-154	05-R15-154	
	1 3/8"	Heateater	Plain	300			05-T15-171	05-R15-171	
	1 3/8"	Heateater	Roller	300			05-T15-172	05-R15-172	
	1 3/8"	TPR 82A	Ball	275			05-T15-193	05-R15-193	
	1 3/8"	TPR 82A	Delrin	275			05-T15-194	05-R15-194	
	1 1/4"	Mold-On Poly	Ball	300			05-T15-203	05-R15-203	
	1 1/4"	Mold-On Poly	Delrin	300			05-T15-204	05-R15-204	
	1 1/4"	TPR 82A	Ball	300			05-T15-213	05-R15-213	
	1 1/4"	TPR 82A	Delrin	300			05-T15-214	05-R15-214	
	1 3/8"	TPR 60A	Ball	300			05-T15-223	05-R15-223	
	1 3/8"	TPR 60A	Delrin	300			05-T15-224	05-R15-224	
	1 1/4"	TPR 60A	Ball	250			05-T15-283	05-R15-283	
	1 1/4"	TPR 60A	Delrin	250			05-T15-284	05-R15-284	
	1 1/4"	Softie	Ball	160			05-T15-293	05-R15-293	
	1 1/4"	Softie	Delrin	160			05-T15-294	05-R15-294	
	1 1/2"	Polyolefin	Roller	300			55-T15-12	55-R15-12	
	1 1/2"	Polyolefin	Ball	300			55-T15-13	55-R15-13	
	1 1/2"	Polyolefin	Delrin	300			55-T15-14	55-R15-14	
	1 1/2"	Mold-On Poly	Roller	325			55-T15-22	55-R15-22	
	1 1/2"	Retort	Plain	325			55-T15-121	55-R15-121	
	1 1/2"	Retort	Roller	325			55-T15-122	55-R15-122	
	1 1/2"	Softie	Roller	210			55-T15-152	55-R15-152	
	1 1/2"	TPR 82A	Roller	325			55-T15-192	55-R15-192	
	1 1/2"	TPR 60A	Roller	325			55-T15-222	55-R15-222	
1 1/2"	Round Tread Mold-On Poly	Roller	325	55-T15-232	55-R15-232				
1 1/2"	Round Tread TPR 82A	Roller	325	55-T15-242	55-R15-242				
1 1/2"	Round Tread TPR 60A	Roller	325	55-T15-252	55-R15-252				
1 1/2"	Round Tread Softie	Roller	200	55-T15-262	55-R15-262				

(CONTINUED)

15 SERIES

Stem Casters

Threaded and Grip Ring (CONTINUED)

Diameter	Tread Width	Wheel Type	Bearing Type	Capacity	Load Height	Swivel Radius	Caster Ordering Numbers		Shipping Weight (Lbs.)
							Threaded		
6"	1 3/8"	Polyolefin	Ball	300	7 1/16"	4 1/2"		06-T15-13	3
	1 3/8"	Polyolefin	Delrin	300				06-T15-14	
	1 3/8"	Mold-On Poly	Ball	300				06-T15-23	
	1 3/8"	Mold-On Poly	Delrin	300				06-T15-24	
	1 1/4"	Hard Rubber	Plain	300				06-T15-61	
	1 1/4"	Soft Rubber	Plain	220				06-T15-71	
	1 3/8"	Retort	Plain	300				06-T15-121	
	1 3/8"	Softie	Ball	190				06-T15-153	
	1 3/8"	Softie	Delrin	190				06-T15-154	
	1 3/8"	Heateater	Plain	300				06-T15-171	
	1 3/8"	Heateater	Roller	300				06-T15-172	
	1 3/8"	TPR 82A	Ball	300				06-T15-193	
	1 3/8"	TPR 82A	Delrin	300				06-T15-194	
	1 3/8"	TPR 60A	Ball	325				06-T15-223	
	1 3/8"	TPR 60A	Delrin	325				06-T15-224	
	1 1/2"	Polyolefin	Plain	300				65-T15-11	
	1 1/2"	Polyolefin	Roller	300				65-T15-12	
	1 1/2"	Mold-On Poly	Roller	325				65-T15-22	
	1 1/2"	Retort	Plain	325				65-T15-121	
	1 1/2"	Retort	Roller	325				65-T15-122	
	1 1/2"	Softie	Roller	210				65-T15-152	
1 1/2"	TPR 82A	Roller	325		65-T15-192				
1 1/2"	TPR 60A	Roller	325		65-T15-222				
1 1/2"	Round Tread Mold-On Poly	Roller	325		65-T15-232				
1 1/2"	Round Tread TPR 82A	Roller	325		65-T15-242				
1 1/2"	Round Tread TPR 60A	Roller	325		65-T15-252				
1 1/2"	Round Tread Softie	Roller	200		65-T15-262				

15 SERIES

Stem Casters Rubber Applicator and Pipe Plug

- Standard Pipe Plug 3/4"



AVAILABLE APPLICATORS	
NUMBER	SIZE
11	7/8 - 29/32
13	15/16 - 1
15	1 1/16 - 1 1/8
19A	1 1/2
19C	1 3/8

Diameter	Tread Width	Wheel Type	Bearing Type	Capacity	Swivel Radius	Rubber Applicator		Pipe Plug	
						Load Height	Number	Load Height	Number
2 1/2"	1 3/8"	Polyolefin	Ball	300	2 3/4"	3 7/16"		25-A15-13	
	1 3/8"	Polyolefin	Delrin	300			25-A15-14		
	1 3/8"	Mold-On Poly	Ball	300			25-A15-23		
	1 3/8"	Mold-On Poly	Delrin	300			25-A15-24		
	1 1/4"	Hard Rubber	Plain	210			25-A15-61		
	1 1/4"	Soft Rubber	Plain	140			25-A15-71		
	1 3/8"	Retort	Plain	300			25-A15-121		
	1 3/8"	Softie	Ball	125			25-A15-153		
	1 3/8"	Softie	Delrin	125			25-A15-154		
	1 3/8"	Heateater	Plain	300			25-A15-171		
	1 3/8"	Heateater	Roller	300			25-A15-172		
	1 3/8"	TPR 82A	Ball	300			25-A15-193		
	1 3/8"	TPR 82A	Delrin	300			25-A15-194		
	1 3/8"	TPR 60A	Ball	175			25-A15-223		
	1 3/8"	TPR 60A	Delrin	175			25-A15-224		
	1 1/8"	Polyolefin	Plain	300			255-A15-11		
3"	1 3/8"	Polyolefin	Ball	300	3"	3 15/16"		03-A15-13	03-P15-13
	1 3/8"	Polyolefin	Delrin	300			03-A15-14	03-P15-14	
	1 3/8"	Mold-On Poly	Ball	300			03-A15-23	03-P15-23	
	1 3/8"	Mold-On Poly	Delrin	300			03-A15-24	03-P15-24	
	1 1/4"	Hard Rubber	Plain	210			03-A15-61	03-P15-61	
	1 1/4"	Soft Rubber	Plain	140			03-A15-71	03-P15-71	
	1 3/8"	Retort	Plain	300			03-A15-121	03-P15-121	
	1 3/8"	Softie	Ball	150			03-A15-153	03-P15-153	
	1 3/8"	Softie	Delrin	150			03-A15-154	03-P15-154	
	1 3/8"	Heateater	Plain	300			03-A15-171	03-P15-171	
	1 3/8"	Heateater	Roller	300			03-A15-172	03-P15-172	
	1 3/8"	TPR 82A	Ball	300			03-A15-193	03-P15-193	
	1 3/8"	TPR 82A	Delrin	300			03-A15-194	03-P15-194	
	1 3/8"	TPR 60A	Ball	200			03-A15-223	03-P15-223	
	1 3/8"	TPR 60A	Delrin	200			03-A15-224	03-P15-224	

(CONTINUED)

15 SERIES

Stem Casters Rubber Applicator and Pipe Plug (CONTINUED)

- Standard Pipe Plug $\frac{3}{4}$ " available only on 3, 4 and 5" casters.

Diameter	Tread Width	Wheel Type	Bearing Type	Capacity	Swivel Radius	Rubber Applicator		Pipe Plug		
						Load Height	Number	Load Height	Number	
3½"	1⅜"	Polyolefin	Ball	300	3¼"	4 ⁷ / ₁₆ "	35-A15-13	4 ⁷ / ₈ "		
	1⅜"	Polyolefin	Delrin	300						
	1⅜"	Mold-On Poly	Ball	300						
	1⅜"	Mold-On Poly	Delrin	300						
	1¼"	Hard Rubber	Plain	225						
	1¼"	Soft Rubber	Plain	150						
	1⅜"	Retort	Plain	300						
	1⅜"	Softie	Ball	160						
	1⅜"	Softie	Delrin	160						
	1⅜"	Heateater	Plain	300						
	1⅜"	Heateater	Roller	300						
	1⅜"	TPR 82A	Ball	300						
	1⅜"	TPR 82A	Delrin	300						
	1⅜"	TPR 60A	Ball	225						
	1⅜"	TPR 60A	Delrin	225						
4"	1⅜"	Polyolefin	Ball	300	3½"	4 ¹⁵ / ₁₆ "	04-A15-13	5 ³ / ₈ "	04-P15-13	
	1⅜"	Polyolefin	Delrin	300					04-P15-14	
	1⅜"	Mold-On Poly	Ball	300					04-P15-23	
	1⅜"	Mold-On Poly	Delrin	300					04-P15-24	
	1¼"	Hard Rubber	Plain	240					04-P15-61	
	1¼"	Soft Rubber	Plain	165					04-P15-71	
	1⅜"	Retort	Plain	300					04-P15-121	
	1⅜"	Softie	Ball	170					04-P15-153	
	1⅜"	Softie	Delrin	170					04-P15-154	
	1⅜"	Heateater	Plain	300					04-P15-171	
	1⅜"	Heateater	Roller	300					04-P15-172	
	1⅜"	TPR 82A	Ball	300					04-P15-193	
	1⅜"	TPR 82A	Delrin	300					04-P15-194	
	1⅜"	TPR 60A	Ball	300					04-P15-223	
	1⅜"	TPR 60A	Delrin	300					04-P15-224	
	1½"	Polyolefin	Roller	300					45-A15-12	45-P15-12
	1½"	Polyolefin	Ball	300					45-A15-13	45-P15-13
	1½"	Polyolefin	Delrin	300					45-A15-14	45-P15-14
	1½"	Mold-On Poly	Roller	300					45-A15-22	45-P15-22
	1½"	Retort	Plain	300					45-A15-121	45-P15-121
	1½"	Retort	Roller	300					45-A15-122	45-P15-122
	1½"	Softie	Roller	200					45-A15-152	45-P15-152
	1⅜"	Heateater	Plain	300					451-A15-171	451-P15-171
	1⅜"	TPR 82A	Roller	300					45-A15-192	45-P15-192
	1⅜"	TPR 60A	Roller	300					45-A15-222	45-P15-222
	1½"	Mold-On Poly	Roller	300					45-A15-232	45-P15-232
	1⅜"	TPR 82A	Roller	300					45-A15-242	45-P15-242
	1⅜"	TPR 60A	Roller	300					45-A15-252	45-P15-252
	1½"	Softie	Roller	200					45-A15-262	45-P15-262

(CONTINUED)

15 SERIES

Stem Casters Rubber Applicator and Pipe Plug (CONTINUED)

- Standard Pipe Plug $\frac{3}{4}$ "

Diameter	Tread Width	Wheel Type	Bearing Type	Capacity	Swivel Radius	Rubber Applicator		Pipe Plug	
						Load Height	Number	Load Height	Number
5"	1 $\frac{3}{8}$ "	Polyolefin	Ball	300	4"	6 $\frac{1}{16}$ "	6 $\frac{1}{2}$ "	05-A15-13	05-P15-13
	1 $\frac{3}{8}$ "	Polyolefin	Delrin	300				05-A15-14	05-P15-14
	1 $\frac{3}{8}$ "	Mold-On Poly	Ball	300				05-A15-23	05-P15-23
	1 $\frac{3}{8}$ "	Mold-On Poly	Delrin	300				05-A15-24	05-P15-24
	1 $\frac{1}{4}$ "	Hard Rubber	Plain	280				05-A15-61	05-P15-61
	1 $\frac{1}{4}$ "	Soft Rubber	Plain	200				05-A15-71	05-P15-71
	1 $\frac{3}{8}$ "	Retort	Plain	300				05-A15-121	05-P15-121
	1 $\frac{3}{8}$ "	Softie	Ball	180				05-A15-153	05-P15-153
	1 $\frac{3}{8}$ "	Softie	Delrin	180				05-A15-154	05-P15-154
	1 $\frac{3}{8}$ "	Heateater	Plain	300				05-A15-171	05-P15-171
	1 $\frac{3}{8}$ "	Heateater	Roller	300				05-A15-172	05-P15-172
	1 $\frac{3}{8}$ "	TPR 82A	Ball	300				05-A15-193	05-P15-193
	1 $\frac{3}{8}$ "	TPR 82A	Delrin	300				05-A15-194	05-P15-194
	1 $\frac{1}{4}$ "	Mold-On Poly	Ball	300				05-A15-203	05-P15-203
	1 $\frac{1}{4}$ "	Mold-On Poly	Delrin	300				05-A15-204	05-P15-204
	1 $\frac{1}{4}$ "	TPR 82A	Ball	300				05-A15-213	05-P15-213
	1 $\frac{1}{4}$ "	TPR 82A	Delrin	300				05-A15-214	05-P15-214
	1 $\frac{3}{8}$ "	TPR 60A	Ball	300				05-A15-223	05-P15-223
	1 $\frac{3}{8}$ "	TPR 60A	Delrin	300				05-A15-224	05-P15-224
	1 $\frac{1}{4}$ "	TPR 60A	Ball	300				05-A15-283	05-P15-283
	1 $\frac{1}{4}$ "	TPR 60A	Delrin	300				05-A15-284	05-P15-284
	1 $\frac{1}{4}$ "	Softie	Ball	160				05-A15-293	05-P15-293
	1 $\frac{1}{4}$ "	Softie	Delrin	160				05-A15-294	05-P15-294
	1 $\frac{1}{2}$ "	Polyolefin	Roller	300				55-A15-12	55-P15-12
	1 $\frac{1}{2}$ "	Polyolefin	Ball	300				55-A15-13	55-P15-13
	1 $\frac{1}{2}$ "	Polyolefin	Delrin	300				55-A15-14	55-P15-14
	1 $\frac{1}{2}$ "	Mold-On Poly	Roller	325				55-A15-22	55-P15-22
	1 $\frac{1}{2}$ "	Retort	Plain	325				55-A15-121	55-P15-121
	1 $\frac{1}{2}$ "	Retort	Roller	325				55-A15-122	55-P15-122
	1 $\frac{1}{2}$ "	Softie	Roller	210				55-A15-152	55-P15-152
1 $\frac{1}{2}$ "	TPR 82A	Roller	325	55-A15-192	55-P15-192				

(CONTINUED)

15 SERIES

Stem Casters Rubber Applicator and Pipe Plug (CONTINUED)

- Standard Pipe Plug $\frac{3}{4}$ ".

Diameter	Tread Width	Wheel Type	Bearing Type	Capacity	Swivel Radius	Rubber Applicator		Pipe Plug	
						Load Height	Number	Load Height	Number
5"	1½"	TPR 60A	Roller	325	4"	6 $\frac{1}{16}$ "	55-A15-222	6 $\frac{1}{2}$ "	55-P15-222
	1½"	Round Tread Mold-On Poly	Roller	325			55-A15-232		55-P15-232
	1½"	Round Tread TPR 82A	Roller	325			55-A15-242		55-P15-242
	1½"	Round Tread TPR 60A	Roller	325			55-A15-252		55-P15-252
	1½"	Round Tread Softie	Roller	200			55-A15-262		55-P15-262
6"	1¾"	Polyolefin	Ball	300	4 $\frac{1}{2}$ "	7 $\frac{1}{16}$ "	06-A15-13	7 $\frac{1}{2}$ "	
	1¾"	Polyolefin	Delrin	300			06-A15-14		
	1¾"	Mold-On Poly	Ball	300			06-A15-23		
	1¾"	Mold-On Poly	Delrin	300			06-A15-24		
	1¼"	Hard Rubber	Plain	300			06-A15-61		
	1¼"	Soft Rubber	Plain	220			06-A15-71		
	1¾"	Retort	Plain	300			06-A15-121		
	1¾"	Softie	Ball	190			06-A15-153		
	1¾"	Softie	Delrin	190			06-A15-154		
	1¾"	Heateater	Plain	300			06-A15-171		
	1¾"	Heateater	Roller	300			06-A15-172		
	1¾"	TPR 82A	Ball	300			06-A15-193		
	1¾"	TPR 82A	Delrin	300			06-A15-194		
	1¾"	TPR 60A	Ball	300			06-A15-223		
	1¾"	TPR 60A	Delrin	300			06-A15-224		
	1½"	Polyolefin	Plain	300			65-A15-11		
	1½"	Polyolefin	Roller	300			65-A15-12		
	1½"	Mold-On Poly	Roller	325			65-A15-22		
	1½"	Retort	Plain	325			65-A15-121		
	1½"	Retort	Roller	325			65-A15-122		
	1½"	Softie	Roller	210			65-A15-152		
	1½"	TPR 82A	Roller	325			65-A15-192		
	1½"	TPR 60A	Roller	325			65-A15-222		
	1½"	Round Tread Mold-On Poly	Roller	325			65-A15-232		
	1½"	Round Tread TPR 82A	Roller	325			65-A15-242		
	1½"	Round Tread TPR 60A	Roller	325			65-A15-252		
1½"	Round Tread Softie	Roller	200	65-A15-262					